

ANTISTATIC IONIZER DJ-02, DJ-03



Antistatic ionizer is used to remove overflow of mainly plus ions, and also minus ions from the load and elements of balance and environment. Electric charges of air are neutralized what gives quasi-balance of plus and minus ions.

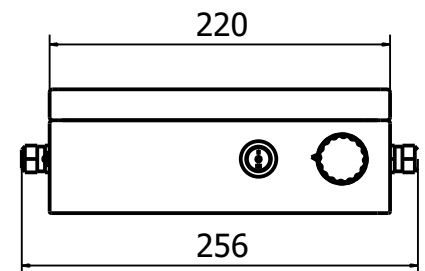
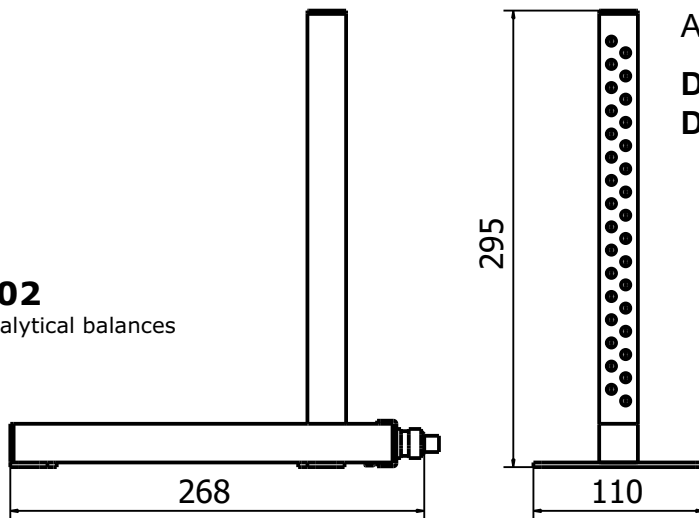
Unbalance of plus and minus ions in the air can cause unwanted electric influences (attraction or repulsion) of elements which are in small distances to each other. It is usual for non-conducting materials (plastic, glass). As some of balance elements are made of plastic and glass, this problem can considerably affect their operation. Usually the influence appears in a form of multiply repeatability error or as multiply error of indications.

Application of antistatic ionizers:

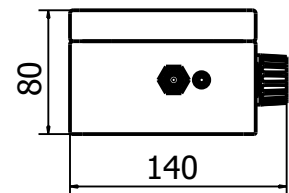
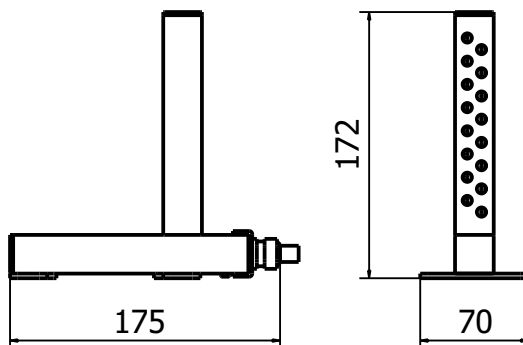
DJ-02 - analytical balances AS.3Y

DJ-03 - microbalances MYA.3Y, MYA.3Y.P

DJ-02
for analytical balances



DJ-03
for microbalances



Technical data:

	DJ-02	DJ-03
Distance sample	5 ÷ 50 cm	
Source of ions	stainless steel	
Working temperature	0 ° - +40 °C	
Moisture	10 ÷ 80%	
Power supply	110/230 V AC / 50 ÷ 60 Hz / 2 W	
Net weight	3 kg	
Frame dimensions	268×110×295	175×70×172

PARTNER CORPORATION

Str. Mures nr.63,Bucuresti ,Sector 1 * Tel/fax : 021-2242257 * e-mail:office@partner.com.ro * www.partner.com.ro