

## STAINLESS STEEL SCALES PIT VERSION WITH EX CERT.



Determination of mass with application of 4 load cells guarantees correct indications on optional placing of a load on the scale's weighing platform.

Series **WPT/4/H/Z/EX** featuring four load cells is manufactured fully in stainless steel technology and offered in pit version. The scale comprises a weighing platform with opening surface facilitating its cleaning and washing.

Stainless steel scales in pit version series **WPT/4/H/Z/EX** enables fast and reliable determination of mass in industrial applications and in EX zones. The scales are manufactured using stainless steel 0H18N9 and they feature an indicator model **PUE C/31H/EX** in stainless steel housing and a backlit LCD display. The indicator is connected to the weighing platform with a conductor, and it can be either placed on a table or attached to a wall.



Counting pieces



Checkweighing



Summing

**The pit frame is offered with the scale as one set.**

The indicator and the weighing platform operate inside the EX zone, and they are powered from an intrinsically safe power adapter ZRi02. The power adapter operates outside the EX zone, it features a diode barrier and it is plugged to mains (230V). The length of the intrinsically safe power cord connecting the power adapter and the indicator is maximally 20 meters.

Scales series **WPT/4/H/Z/EX** are available with capacity ranging from 300 kg (d=100g) to 6000 kg (d=2000g). The stainless steel pit version EX scales **WPT/4/H/Z/EX** are designed for operation in 1 and 2 zones of mixtures of vapours, gasses and fogs with air which constitute for explosivity class IIB and temperature classes T1, T2, T3 and T4.

### Technical data:

	WPT/4 300 H6/Z/EX	WPT/4 600 H6/Z/EX	WPT/4 300 H7/Z/EX	WPT/4 600 H7/Z/EX	WPT/4 1500 H7/Z/EX
Max capacity	300 kg	600 kg	300 kg	600 kg	1500 kg
Minimal load	2 kg	4 kg	2 kg	4 kg	10 kg
Readability	100 g	200 g	100 g	200 g	500 g
Tare range	-300 kg	-600 kg	-300 kg	-600 kg	-1500 kg
Pan size	800×800 mm	800×800 mm	1000×1000 mm	1000×1000 mm	1000×1000 mm
Working temperature	-10° - +40 °C				
Compatibility with ATEX	II 2 G IIB T4				
Indicator	PUE C/31H/EX - II 2 G Ex Ib IIC T4				
IP rating	IP 68 construction; IP 66/67 indicator				
Power supply	230V AC - power adapter ZRi02 - II (2) G [Ex ib] IIC				
Display	LCD (backlit)				
Scale mass with indicator and frame	75 kg	75 kg	105 kg	105 kg	115 kg
Platform height	88 mm	88 mm	88 mm	88 mm	88 mm

### Technical data:

	WPT/4 1500 H8/Z/EX	WPT/4 3000 H8/Z/EX	WPT/4 1500 H8/9/Z/EX	WPT/4 3000 H8/9/Z/EX	WPT/4 1500 H9/Z/EX
Max capacity	1500 kg	3000 kg	1500 kg	3000 kg	1500 kg
Minimal load	10 kg	20 kg	10 kg	20 kg	10 kg
Readability	500 g	1000 g	500 g	1000 g	500 g
Tare range	-1500 kg	-3000 kg	-1500 kg	-3000 kg	-1500 kg
Pan size	1200×1200 mm	1200×1200 mm	1200×1500 mm	1200×1500 mm	1500×1500 mm
Working temperature	-10° - +40 °C				
Compatibility with ATEX	II 2 G IIB T4				
Indicator	PUE C/31H/EX - II 2 G Ex Ib IIC T4				
IP rating	IP 68 construction; IP 66/67 indicator				
Power supply	230V AC - power adapter ZRi02 - II (2) G [Ex ib] IIC				
Display	LCD (backlit)				
Scale mass with indicator and frame	145 kg	155 kg	178 kg	195 kg	210 kg
Platform height	88 mm	111 mm	88 mm	111 mm	88 mm

**Technical data:**

	WPT/4 3000 H9/Z/EX	WPT/4 3000 H10/Z/EX	WPT/4 6000 H10/Z/EX
Max capacity	3000 kg	3000 kg	6000 kg
Minimal load	20 kg	20 kg	40 kg
Readability	1000 g	1000 g	2000 g
Tare range	-3000 kg	-3000 kg	-6000 kg
Pan size	1500×1500 mm	1500×2000 mm	1500×2000 mm
Working temperature	-10° - +40 °C		
Compatibility with ATEX	II 2 G IIB T4		
Indicator	PUE C/31H/EX - II 2 G Ex Ib IIC T4		
IP rating	IP 68 construction; IP 66/67 indicator		
Power supply	230V AC - power adapter ZRI02 - II (2) G [Ex ib] IIC		
Display	LCD (backlit)		
Scale mass with indicator and frame	230 kg	320 kg	325 kg
Platform height	111 mm	111 mm	166 mm

**Technical data:**

	WPT/4 300/600 H6/Z/EX	WPT/4 300/600 H7/Z/EX	WPT/4 600/1500 H7/Z/EX	WPT/4 600/1500 H8/Z/EX	WPT/4 1500/3000 H8/Z/EX
Max capacity	300 / 600 kg	300 / 600 kg	600 / 1500 kg	600 / 1500 kg	1500 / 3000 kg
Minimal load	2 / 4 kg	2 / 4 kg	4 / 10 kg	4 / 10 kg	10 / 20 kg
Readability	100 / 200 g	100 / 200 g	200 / 500 g	200 / 500 g	500 / 1000 g
Tare range	-600 kg	-600 kg	-1500 kg	-1500 kg	-3000 kg
Pan size	800×800 mm	1000×1000 mm	1000×1000 mm	1200×1200 mm	1200×1200 mm
Working temperature	-10° - +40 °C				
Compatibility with ATEX	II 2 G IIB T4				
Indicator	PUE C/31H/EX - II 2 G Ex Ib IIC T4				
IP rating	IP 68 construction; IP 66/67 indicator				
Power supply	230V AC - power adapter ZRI02 - II (2) G [Ex ib] IIC				
Display	LCD (backlit)				
Scale mass with indicator and frame	75 kg	105 kg	115 kg	145 kg	155 kg
Platform height	88 mm	88 mm	88 mm	88 mm	111 mm

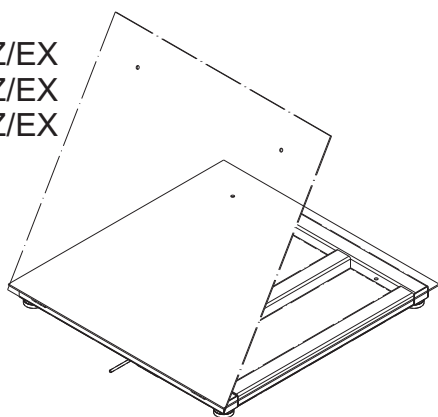
**Technical data:**

	WPT/4 600/1500 H8/9/Z/EX	WPT/4 1500/3000 H8/9/Z/EX	WPT/4 600/1500 H9/Z/EX	WPT/4 1500/3000 H9/Z/EX
Max capacity	600 / 1500 kg	1500 / 3000 kg	600 / 1500 kg	1500 / 3000 kg
Minimal load	4 / 10 kg	10 / 20 kg	4 / 10 kg	10 / 20 kg
Readability	200 / 500 g	500 / 1000 g	200 / 500 g	500 / 1000 g
Tare range	-1500 kg	-3000 kg	-1500 kg	-3000 kg
Pan size	1200×1500 mm	1200×1500 mm	1500×1500 mm	1500×1500 mm
Working temperature	-10° - +40 °C			
Compatibility with ATEX	II 2 G IIB T4			
Indicator	PUE C/31H/EX - II 2 G Ex Ib IIC T4			
IP rating	IP 68 construction; IP 66/67 indicator			
Power supply	230V AC - power adapter ZRI02 - II (2) G [Ex ib] IIC			
Display	LCD (backlit)			
Scale mass with indicator and frame	178 kg	195 kg	210 kg	230 kg
Platform height	88 mm	111 mm	88 mm	111 mm

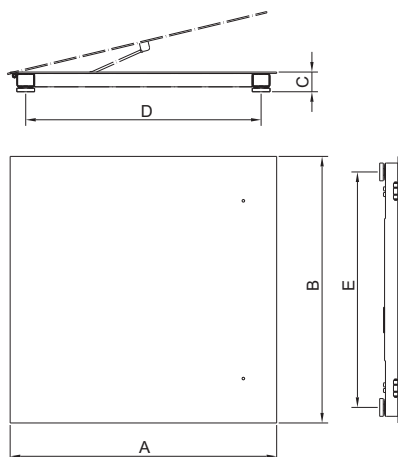
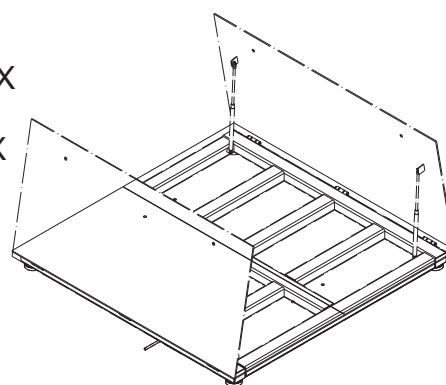
## Technical data:

	WPT/4 1500/3000 H10/Z/EX	WPT/4 3000/6000 H10/Z/EX
Max capacity	1500 / 3000 kg	3000 / 6000 kg
Minimal load	10 / 20 kg	20 / 40 kg
Readability	500 / 1000 g	1000 / 2000 g
Tare range	-3000 kg	-6000 kg
Pan size	1500x2000 mm	1500x2000 mm
Working temperature	-10° - +40 °C	
Compatibility with ATEX	II 2 G IIB T4	
Indicator	PUE C/31H/EX - II 2 G Ex Ib IIC T4	
IP rating	IP 68 construction; IP 66/67 indicator	
Power supply	230V AC - power adapter ZRi02 - II (2) G [Ex ib] IIC	
Display	LCD (backlit)	
Scale mass with indicator and frame	320 kg	325 kg
Platform height	111 mm	166 mm

WPT/4 H6/Z/EX  
WPT/4 H7/Z/EX  
WPT/4 H8/Z/EX



WPT/4 H8/9/Z/EX  
WPT/4 H9/Z/EX  
WPT/4 H10/Z/EX



	max	A×B	C	D×E
WPT/4 300 H6	300 kg	800x800mm	88 +/-2 mm	660x660mm
WPT/4 600 H6	600 kg	800x800mm	88 +/-2 mm	660x660mm
WPT/4 300 H7	300 kg	1000x1000mm	88 +/-2 mm	860x860mm
WPT/4 600 H7	600 kg	1000x1000mm	88 +/-2 mm	860x860mm
WPT/4 1500 H7	1500 kg	1000x1000mm	88 +/-2 mm	860x860mm
WPT/4 1500 H8	1500 kg	1200x1200mm	88 +/-2 mm	1060x1060mm
WPT/4 3000 H8	3000 kg	1200x1200mm	111 mm	1060x1060mm
WPT/4 1500 H8/9	1500 kg	1200x1500mm	88 +/-2 mm	1060x1360mm
WPT/4 3000 H8/9	3000 kg	1200x1500mm	111 mm	1060x1360mm
WPT/4 1500 H9	1500 kg	1500x1500mm	88 +/-2 mm	1360x1360mm
WPT/4 3000 H9	3000 kg	1500x1500mm	111 mm	1360x1360mm
WPT/4 3000 H10	3000 kg	1500x2000mm	111 mm	1360x1860mm
WPT/4 6000 H10	6000 kg	1500x2000mm	166 mm	1360x1860mm