

RAMP SCALES



Ramp scales with stainless steel load cells are widely applied in meat, fish, pharmaceutical, cosmetic and chemical industry.

The WPT/4N series is manufactured in complete stainless steel technology with stainless steel indicator PUE C/31H series installed on a 3 meter long cable.

Ramp scales are manufactured from OH18N9 stainless steel. On special order, it is possible to manufacture ramp scales in upgraded anti-corrosion stainless steel version.



Parts counting



Checkweighing



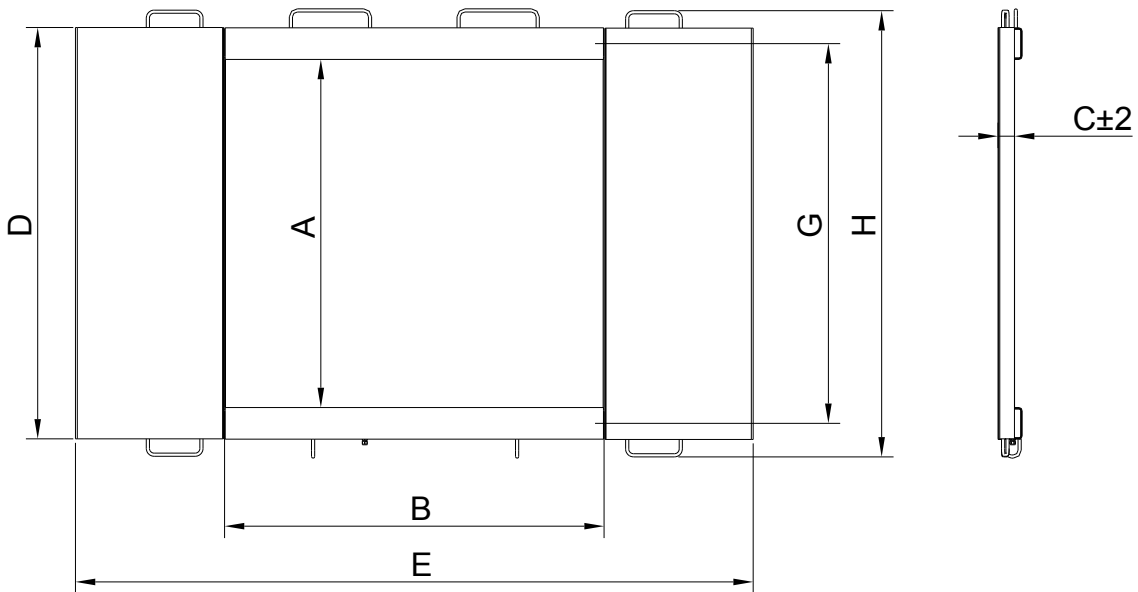
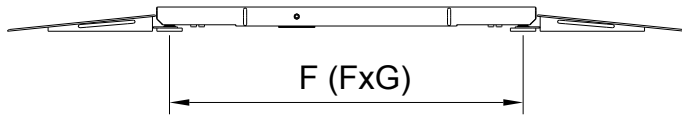
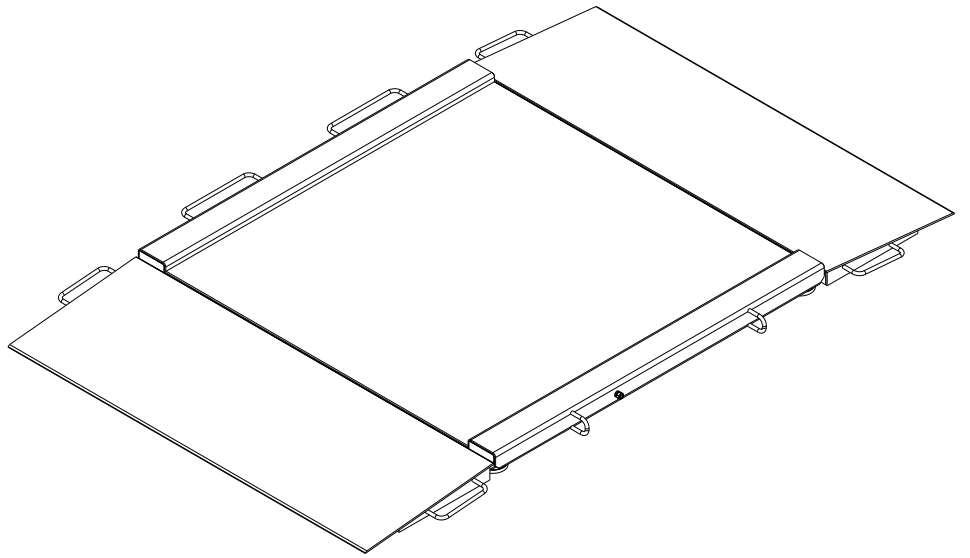
Totalizing

Technical data:

	WPT/4N 400H1	WPT/4N 400H2	WPT/4N 800H2	WPT/4N 1500H2	WPT/4N 800H3	WPT/4N 1500H3	WPT/4N 1500H4
Max capacity	400 kg	400 kg	800 kg	1500 kg	800 kg	1500 kg	1500 kg
Readability	200 g	200 g	500 g	500 g	500 g	500 g	500 g
Tare range	-400 kg	-400 kg	-800 kg	-1500 kg	-800 kg	-1500 kg	-1500 kg
Pan size	840×860 mm	1100×1200 mm	1100×1200 mm	1100×1200 mm	1200×1500 mm	1200×1500 mm	1500×1500 mm
Working temperature	-10° - +40 °C						
Output signal	RS 232						
IP rating	IP 68 construction, IP 66/67 indicator						
Power supply	230V / 11V AC or 120V / 11V AC and internal accumulator						
Display	LCD (backlit)						
Scale net weight with indicator	105 kg	150 kg	150 kg	190 kg	180 kg	230 kg	270 kg
Packaging size	1710×1160×76 mm	2050×1420×76 mm	2050×1420×76	2150×1420×77	2350×1520×76	2450×1520×77	2450×1820×77

Additional equipment:

Kafka thermal printer	PW-WIN 2004 computer software
Epson dot matrix printer	RAD-KEY 2000 computer software
Stand for the indicator	LS-FS computer software
Anti-dust case for EPSON printer	RS 232 cable: scale - "Kafka" printer: P0253
Converter RS232/Ethernet KR-04	RS 232 cable: scale - "Epson" printer: P0261
External power output	RS 232 cable: scale - computer: P0259
Large LCD display WWG-2 (digit height 4,5")	LCD display in stainless steel housing



	max	A [mm]	B [mm]	C [mm]	D [mm]	E [mm]	F [mm]	G [mm]	H [mm]
WPT/4N 400 H1	400kg	840	860	45,5	1040	~ 1710	778	940	1170
WPT/4N 400 H2	400kg	1100	1200	45,5	1300	~ 2050	1118	1200	1430
WPT/4N 800 H2	800kg	1100	1200	45,5	1300	~ 2050	1118	1200	1430
WPT/4N 800 H3	800kg	1200	1500	45,5	1400	~ 2350	1418	1300	1530
WPT/4N 1500 H2	1500kg	1100	1200	52,5	1300	~ 2150	1118	1200	1430
WPT/4N 1500 H3	1500kg	1200	1500	52,5	1400	~ 2450	1418	1300	1530
WPT/4N 1500 H4	1500kg	1500	1500	52,5	1700	~ 2450	1418	1600	1830

PARTNER CORPORATION

Str. Mures nr.63,Bucuresti ,Sector 1 * Tel/fax : 021-2242257 * e-mail:office@partner.com.ro * www.partner.com.ro