

ANTIVIBRATION TABLE



An anti vibration table is designed for cooperation with analytical and laboratory balance or control scales. Its construction provides stable operation during precise weighing processes.

Working table has a separate basis and a top made in painted MDF technology. The top has an opening for stone plate which is a stabilizing element of the anti vibration table. Table construction is made of mild steel profiles with adjustable feet for height regulation. A stone plate is supported by an independent basis for improvement of stability.

Anti vibration table components as well as the top can be manufactured in stainless steel technology (acid-proof), and table dimensions are adjustable to customer requirements.

Anti vibration table is accessible in three options:

SAL / C – anti vibration table in mild steel technology for laboratory balances

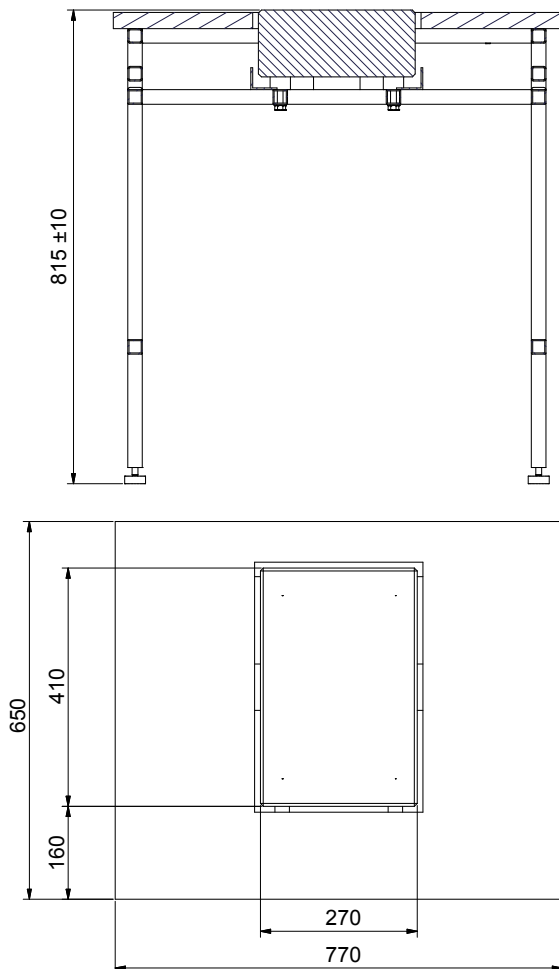
SAL / H – anti vibration table in stainless steel technology for laboratory balances

SAP / C – anti vibration table in mild steel technology for industrial scales

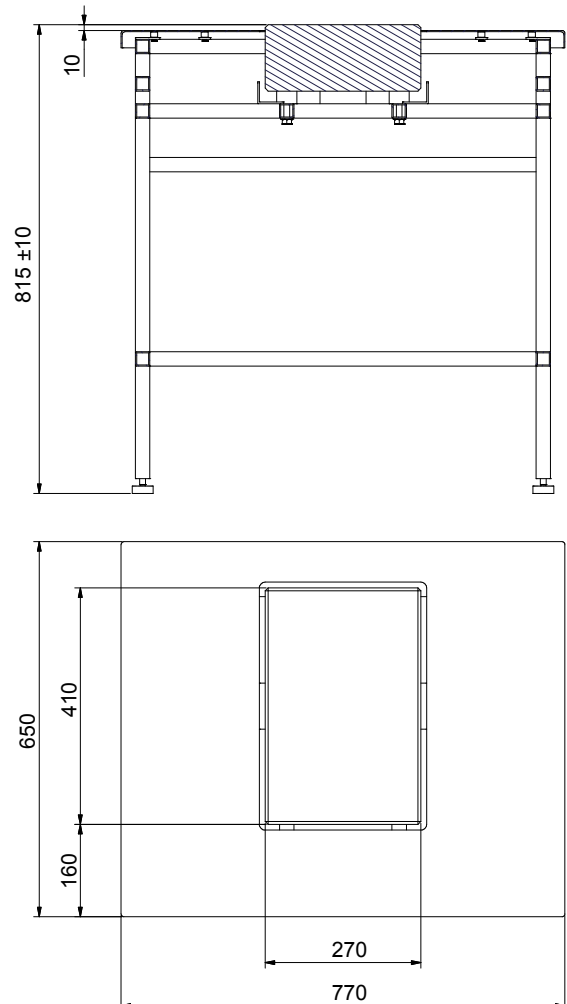
SAP / H – anti vibration table in stainless steel technology for industrial scales

Dimensions:

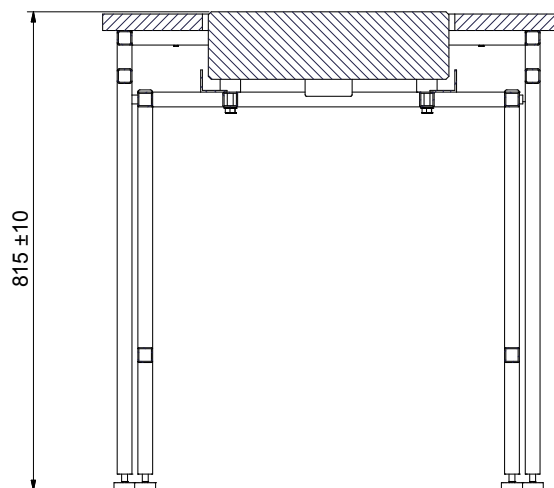
SAL / C version



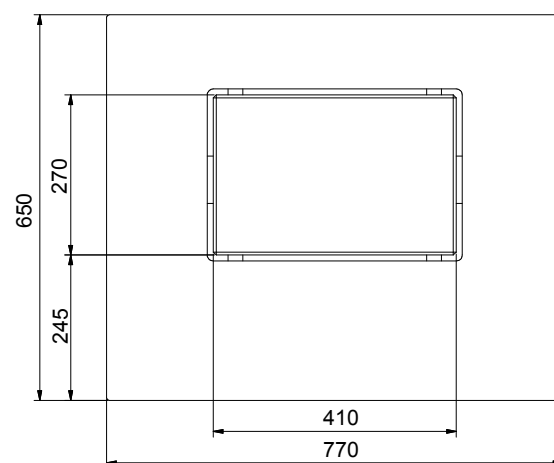
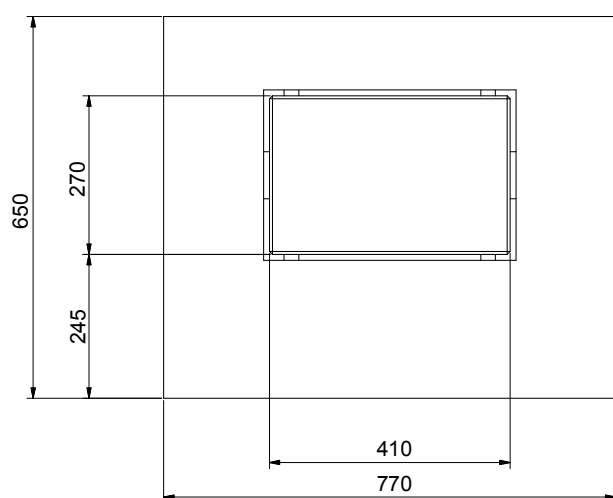
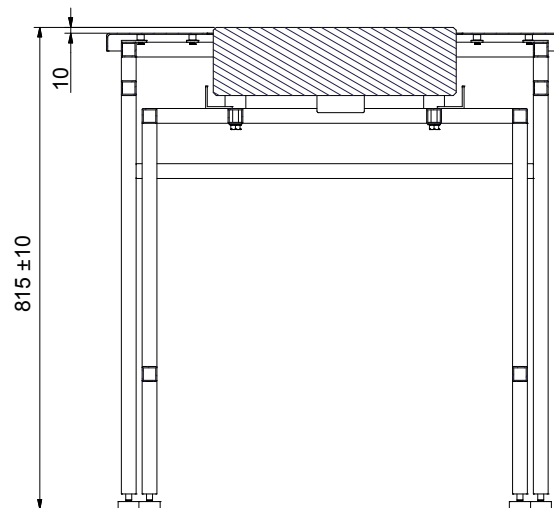
SAL / H version



SAP / C version



SAP / H version

**Technical data:**

Marble plate:

Length 410 mm
 Width 270 mm
 Height 115 mm
 Weight ~34 kg

Working table:

Length 770 mm
 Width 650 mm
 Height 815 mm
 Weight ~21 kg

PARTNER CORPORATION

Str. Mures nr.63,Bucuresti ,Sector 1 * Tel/fax : 021-2242257 * e-mail:office@partner.com.ro * www.partner.com.ro