

H315.15/30.H2.K Waterproof Scale, H315.300.H5.M Waterproof Scale, H315.30/60.H4.M Waterproof Scale, H315.150.H3.K Waterproof Scale, H315.150.H4.K Waterproof Scale, H315.1.5.H1.M Waterproof Scale, H315.6.H1.K Waterproof Scale, H315.15.H5.M Waterproof Scale, H315.15/30.H4.K Waterproof Scale, H315.3/6.H2.M Waterproof Scale, H315.15.H3/5.K Waterproof Scale, H315.15/30.H3.K Waterproof Scale, H315.60.H4.K Waterproof Scale, H315.300.H6.M Waterproof Scale, H315.3/6.H1.K Waterproof Scale, H315.30/60.H3/5.M Waterproof Scale, H315.30.H3.K Waterproof Scale, H315.3.H2.M Waterproof Scale, H315.60.H6.K Waterproof Scale, H315.6/15.H2.K Waterproof Scale, H315.300.H5.K Waterproof Scale, H315.150.H6.K Waterproof Scale, H315.30.H2.K Waterproof Scale, H315.60.H3/5.M Waterproof Scale, H315.15/30.H3.M Waterproof Scale, H315.60.H3/5.K Waterproof Scale, H315.150.H3.M Waterproof Scale, H315.15.H4.K Waterproof Scale, H315.15/30.H3/5.K Waterproof Scale, H315.30/60.H5.M Waterproof Scale, H315.150/300.H6.K Waterproof Scale, H315.1.5.H1.K Waterproof Scale, H315.30/60.H3.M Waterproof Scale, H315.6.H2.M Waterproof Scale, H315.15.H2.K Waterproof Scale, H315.15/30.H5.K Waterproof Scale, H315.150.H6.M Waterproof Scale, H315.30/60.H3.K Waterproof Scale, H315.6.H3.K Waterproof Scale, H315.60.H4.M Waterproof Scale, H315.150.H4.M Waterproof Scale, H315.150/300.H5.K Waterproof Scale, H315.30.H3.M Waterproof Scale, H315.30.H3.M Waterproof Scale, H315.60/150.H3.K Waterproof Scale, H315.30.H4.K Waterproof Scale, H315.6.H1.M Waterproof Scale, H315.3.H1.K Waterproof Scale, H315.60/150.H4.K Waterproof Scale, H315.150.H5.M Waterproof Scale, H315.15.H1.M Waterproof Scale, H315.15.H3.M Waterproof Scale, H315.150.H3/5.M Waterproof Scale, H315.15.H3/5.M Waterproof Scale, H315.30.H3/5.K Waterproof Scale, H315.60/150.H4.M Waterproof Scale, H315.300.H6.K Waterproof Scale, H315.30.H4.M Waterproof Scale, H315.6.H3.M Waterproof Scale, H315.3.H2.K Waterproof Scale, H315.30.H5.M Waterproof Scale, H315.15.H2.M Waterproof Scale, H315.6/15.H1.K Waterproof Scale, H315.60.H5.M Waterproof Scale, H315.60/150.H3/5.M Waterproof Scale, H315.30.H3/5.M Waterproof Scale, H315.60/150.H6.K Waterproof Scale, H315.30/60.H4.K Waterproof Scale, H315.15.H1.K Waterproof Scale, H315.60/150.H5.K Waterproof Scale, H315.60.H6.M Waterproof Scale, H315.15.H3.K Waterproof Scale, H315.30.H5.K Waterproof Scale, H315.60.H5.K Waterproof Scale, H315.6.H2.K Waterproof Scale, H315.60.H3.K Waterproof Scale, H315.150.H5.K Waterproof Scale, H315.6/15.H2.M Waterproof Scale, H315.30/60.H3/5.K Waterproof Scale, H315.30.H2.M Waterproof Scale, H315.3/6.H2.K Waterproof Scale, H315.15.H4.M Waterproof Scale, H315.60.H3.M Waterproof Scale, H315.15.H5.K Waterproof Scale, H315.150.H3/5.K Waterproof Scale, H315.30/60.H5.K Waterproof Scale, H315.3.H1.M Waterproof Scale



More information on the website
radwag.com/en/info,w1,3NP



H315.15/30.H2.K Waterproof Scale
 H315.6/15.H2.K Waterproof Scale
 H315.30.H2.K Waterproof Scale
 H315.15.H2.K Waterproof Scale
 H315.3.H2.K Waterproof Scale
 H315.6.H2.K Waterproof Scale
 H315.3/6.H2.K Waterproof Scale



H315.300.H5.M Waterproof Scale
 H315.30/60.H4.M Waterproof Scale
 H315.300.H6.M Waterproof Scale
 H315.30/60.H3/5.M Waterproof Scale
 H315.60.H3/5.M Waterproof Scale
 H315.15/30.H3.M Waterproof Scale
 H315.150.H3.M Waterproof Scale
 H315.30/60.H3.M Waterproof Scale
 H315.60.H4.M Waterproof Scale
 H315.150.H4.M Waterproof Scale
 H315.30.H3.M Waterproof Scale
 H315.15.H3.M Waterproof Scale
 H315.150.H3/5.M Waterproof Scale
 H315.15.H3/5.M Waterproof Scale
 H315.60/150.H4.M Waterproof Scale
 H315.30.H4.M Waterproof Scale
 H315.6.H3.M Waterproof Scale
 H315.60/150.H3/5.M Waterproof Scale
 H315.30.H3/5.M Waterproof Scale
 H315.15.H4.M Waterproof Scale



H315.150.H3.K Waterproof Scale
 H315.150.H4.K Waterproof Scale
 H315.15/30.H4.K Waterproof Scale
 H315.15.H3/5.K Waterproof Scale
 H315.15/30.H3.K Waterproof Scale
 H315.60.H4.K Waterproof Scale
 H315.30.H3.K Waterproof Scale
 H315.60.H6.K Waterproof Scale
 H315.300.H5.K Waterproof Scale
 H315.150.H6.K Waterproof Scale
 H315.60.H3/5.K Waterproof Scale
 H315.15.H4.K Waterproof Scale
 H315.15/30.H3/5.K Waterproof Scale
 H315.150/300.H6.K Waterproof Scale
 H315.15/30.H5.K Waterproof Scale
 H315.30/60.H3.K Waterproof Scale
 H315.6.H3.K Waterproof Scale
 H315.150/300.H5.K Waterproof Scale
 H315.60/150.H3.K Waterproof Scale
 H315.30.H4.K Waterproof Scale

H315.60.H3.M Waterproof Scale

H315.60/150.H4.K Waterproof Scale
H315.30.H3/5.K Waterproof Scale
H315.300.H6.K Waterproof Scale
H315.60/150.H6.K Waterproof Scale
H315.30/60.H4.K Waterproof Scale
H315.60/150.H5.K Waterproof Scale
H315.15.H3.K Waterproof Scale
H315.30.H5.K Waterproof Scale
H315.60.H5.K Waterproof Scale
H315.60.H3.K Waterproof Scale
H315.150.H5.K Waterproof Scale
H315.30/60.H3/5.K Waterproof Scale
H315.15.H5.K Waterproof Scale
H315.150.H3/5.K Waterproof Scale
H315.30/60.H5.K Waterproof Scale



H315.1,5.H1.M Waterproof Scale
H315.6.H1.M Waterproof Scale
H315.15.H1.M Waterproof Scale
H315.3.H1.M Waterproof Scale



H315.6.H1.K Waterproof Scale
H315.3/6.H1.K Waterproof Scale
H315.1,5.H1.K Waterproof Scale
H315.3.H1.K Waterproof Scale
H315.6/15.H1.K Waterproof Scale
H315.15.H1.K Waterproof Scale



H315.15.H5.M Waterproof Scale
H315.30/60.H5.M Waterproof Scale
H315.150.H6.M Waterproof Scale
H315.150.H5.M Waterproof Scale
H315.30.H5.M Waterproof Scale
H315.60.H5.M Waterproof Scale
H315.60.H6.M Waterproof Scale



H315.3/6.H2.M Waterproof Scale
H315.3.H2.M Waterproof Scale
H315.6.H2.M Waterproof Scale
H315.15.H2.M Waterproof Scale
H315.6/15.H2.M Waterproof Scale
H315.30.H2.M Waterproof Scale

The drawings, photos and graphics used are for illustrative purposes only.

Functions



Plus/Minus Control



Percent Weighing



Totalizing



Parts counting



Internal battery



Peak hold



Newton unit measurement



Animal weighing

Datasheet

	H315.1,5.H1.M Waterproof Scale	H315.1,5.H1.K Waterproof Scale	H315.3.H1.K Waterproof Scale
Metrological parameters			
Maximum capacity [Max]	1,5 kg	1,5 kg	3 kg
Minimum load	10 g	10 g	20 g
Readability [d]	0,5 g	0,5 g	1 g
Tare range	-1,5 kg	-1,5 kg	-3 kg
Max readability for non-verified scale	0,2 g	0,2 g	0,2 g
OIML Class	III	III	III
Physical parameters			
Display	LCD (backlit)	LCD (backlit)	LCD (backlit)
Weighing pan dimensions	200×150 mm	200×150 mm	200×150 mm
Packaging dimensions	400×260×270 mm	400×260×270 mm	400×260×270 mm
Net weight	7 kg	7 kg	7 kg
Gross weight	8,3 kg	8,3 kg	8,3 kg
Construction			
Protection class	IP 67 construction, IP 68 (1h max)/69 indicator	IP 67 construction, IP 68 (1h max)/69 indicator	IP 67 construction, IP 68 (1h max)/69 indicator
Communication interface			
USB Interface	1	1	1
RS232 Interface	1	1	1
Optional interfaces	RS232 or RS485 or 4IN/4OUT or Ethernet or analog output 4-20 mA	RS232 or RS485 or 4IN/4OUT or Ethernet or analog output 4-20 mA	RS232 or RS485 or 4IN/4OUT or Ethernet or analog output 4-20 mA
Electrical parameters			
Power supply	100 – 240 V AC 50/60 Hz	100 – 240 V AC 50/60 Hz	100 – 240 V AC 50/60 Hz
Optional power supply	internal rechargeable battery	internal rechargeable battery	internal rechargeable battery
Operation time on batteries	max 7h	max 7h	max 7h
Environmental conditions			
Operating temperature	-10 ÷ +40 °C	-10 ÷ +40 °C	-10 ÷ +40 °C

Datasheet

	H315.3.H1.M Waterproof Scale	H315.3.H2.M Waterproof Scale	H315.3.H2.K Waterproof Scale
Metrological parameters			
Maximum capacity [Max]	3 kg	3 kg	3 kg
Minimum load	20 g	20 g	20 g
Readability [d]	1 g	1 g	1 g
Tare range	-3 kg	-3 kg	-3 kg
Max readability for non-verified scale	0,2 g	0,2 g	0,2 g
OIML Class	III	III	III
Physical parameters			
Display	LCD (backlit)	LCD (backlit)	LCD (backlit)
Weighing pan dimensions	200×150 mm	250×300 mm	250×300 mm
Packaging dimensions	400×260×270 mm	560×310×270 mm	560×310×270 mm
Net weight	5,93 kg	9 kg	9 kg
Gross weight	8,3 kg	10,3 kg	8 kg
Construction			
Protection class	IP 67 construction, IP 68 (1h max)/69 indicator	IP 67 construction, IP 68 (1h max)/69 indicator	IP 67 construction, IP 68 (1h max)/69 indicator
Communication interface			
USB Interface	1	1	1
RS232 Interface	1	1	1
Optional interfaces	RS232 or RS485 or 4IN/4OUT or Ethernet or analog output 4-20 mA	RS232 or RS485 or 4IN/4OUT or Ethernet or analog output 4-20 mA	RS232 or RS485 or 4IN/4OUT or Ethernet or analog output 4-20 mA
Electrical parameters			
Power supply	100 – 240 V AC 50/60 Hz	100 – 240 V AC 50/60 Hz	100 – 240 V AC 50/60 Hz
Optional power supply	internal rechargeable battery	internal rechargeable battery	internal rechargeable battery
Operation time on batteries	max 7h	max 7h	max 7h
Environmental conditions			
Operating temperature	-10 ÷ +40 °C	-10 ÷ +40 °C	-10 ÷ +40 °C

Datasheet

	H315.3/6.H1.K Waterproof Scale	H315.3/6.H2.K Waterproof Scale	H315.3/6.H2.M Waterproof Scale
Metrological parameters			
Maximum capacity [Max]	3/6 kg	3/6 kg	3/6 kg
Minimum load	20 g	20 g	20 g
Readability [d]	1/2 g	1/2 g	1/2 g
Tare range	-6 kg	-6 kg	-6 kg
Max readability for non-verified scale			
OIML Class	III	III	III
Physical parameters			
Display	LCD (backlit)	LCD (backlit)	LCD (backlit)
Weighing pan dimensions	200×150 mm	250×300 mm	250×300 mm
Packaging dimensions	400×260×270 mm	560×310×270 mm	560×310×270 mm
Net weight	7 kg	9 kg	9 kg
Gross weight	8,3 kg	10,3 kg	9 kg
Construction			
Protection class	IP 67 construction, IP 68 (1h max)/69 indicator	IP 67 construction, IP 68 (1h max)/69 indicator	IP 67 construction, IP 68 (1h max)/69 indicator
Communication interface			
USB Interface	1	1	1
RS232 Interface	1	1	1
Optional interfaces	RS232 or RS485 or 4IN/4OUT or Ethernet or analog output 4-20 mA	RS232 or RS485 or 4IN/4OUT or Ethernet or analog output 4-20 mA	RS232 or RS485 or 4IN/4OUT or Ethernet or analog output 4-20 mA
Electrical parameters			
Power supply	100 – 240 V AC 50/60 Hz	100 – 240 V AC 50/60 Hz	100 – 240 V AC 50/60 Hz
Optional power supply	internal rechargeable battery	internal rechargeable battery	internal rechargeable battery
Operation time on batteries	max 7h	max 7h	max 7h
Environmental conditions			
Operating temperature	-10 ÷ +40 °C	-10 ÷ +40 °C	-10 ÷ +40 °C

Datasheet

	H315.6/15.H1.K Waterproof Scale	H315.6.H3.M Waterproof Scale	H315.6/15.H2.K Waterproof Scale
Metrological parameters			
Maximum capacity [Max]	6/15 kg	6 kg	6/15 kg
Minimum load	40 g	40 g	40 g
Readability [d]	2/5 g	2 g	2/5 g
Tare range	-15 kg	-6 kg	-15 kg
Max readability for non-verified scale		0,5 g	
OIML Class	III	III	III
Physical parameters			
Display	LCD (backlit)	LCD (backlit)	LCD (backlit)
Weighing pan dimensions	200×150 mm	410×410 mm	250×300 mm
Packaging dimensions	400×260×270 mm	510×510×270 mm	560×310×270 mm
Net weight	7 kg	15,5 kg	9 kg
Gross weight	8,3 kg	17,3 kg	10,3 kg
Construction			
Protection class	IP 67 construction, IP 68 (1h max)/69 indicator	IP 67 construction, IP 68 (1h max)/69 indicator	IP 67 construction, IP 68 (1h max)/69 indicator
Communication interface			
USB Interface	1	1	1
RS232 Interface	1	1	1
Optional interfaces	RS232 or RS485 or 4IN/4OUT or Ethernet or analog output 4-20 mA	RS232 or RS485 or 4IN/4OUT or Ethernet or analog output 4-20 mA	RS232 or RS485 or 4IN/4OUT or Ethernet or analog output 4-20 mA
Electrical parameters			
Power supply	100 – 240 V AC 50/60 Hz	100 – 240 V AC 50/60 Hz	100 – 240 V AC 50/60 Hz
Optional power supply	internal rechargeable battery	internal rechargeable battery	internal rechargeable battery
Operation time on batteries	max 7h	max 7h	max 7h
Environmental conditions			
Operating temperature	-10 ÷ +40 °C	-10 ÷ +40 °C	-10 ÷ +40 °C

Datasheet

	H315.6.H2.K Waterproof Scale	H315.6.H3.K Waterproof Scale	H315.6/15.H2.M Waterproof Scale
Metrological parameters			
Maximum capacity [Max]	6 kg	6 kg	6/15 kg
Minimum load	40 g	40 g	40 g
Readability [d]	2 g	2 g	2/5 g
Tare range	-6 kg	-6 kg	-15 kg
Max readability for non-verified scale	0,2 g	0,5 g	
OIML Class	III	III	III
Physical parameters			
Display	LCD (backlit)	LCD (backlit)	LCD (backlit)
Weighing pan dimensions	250×300 mm	410×410 mm	250×300 mm
Packaging dimensions	560×310×270 mm	510×510×270 mm	560×310×270 mm
Net weight	9 kg	15,5 kg	9 kg
Gross weight	10,3 kg	17,3 kg	10,3 kg
Construction			
Protection class	IP 67 construction, IP 68 (1h max)/69 indicator	IP 67 construction, IP 68 (1h max)/69 indicator	IP 67 construction, IP 68 (1h max)/69 indicator
Communication interface			
USB Interface	1	1	1
RS232 Interface	1	1	1
Optional interfaces	RS232 or RS485 or 4IN/4OUT or Ethernet or analog output 4-20 mA	RS232 or RS485 or 4IN/4OUT or Ethernet or analog output 4-20 mA	RS232 or RS485 or 4IN/4OUT or Ethernet or analog output 4-20 mA
Electrical parameters			
Power supply	100 – 240 V AC 50/60 Hz	100 – 240 V AC 50/60 Hz	100 – 240 V AC 50/60 Hz
Optional power supply	internal rechargeable battery	internal rechargeable battery	internal rechargeable battery
Operation time on batteries	max 7h	max 7h	max 7h
Environmental conditions			
Operating temperature	-10 ÷ +40 °C	-10 ÷ +40 °C	-10 ÷ +40 °C

Datasheet

	H315.6.H2.M Waterproof Scale	H315.6.H1.M Waterproof Scale	H315.6.H1.K Waterproof Scale
Metrological parameters			
Maximum capacity [Max]	6 kg	6 kg	6 kg
Minimum load	40 g	40 g	40 g
Readability [d]	2 g	2 g	2 g
Tare range	-6 kg	-6 kg	-6 kg
Max readability for non-verified scale	0,2 g	0,2 g	0,2 g
OIML Class	III	III	III
Physical parameters			
Display	LCD (backlit)	LCD (backlit)	LCD (backlit)
Weighing pan dimensions	250×300 mm	200×150 mm	200×150 mm
Packaging dimensions	560×310×270 mm	400×260×270 mm	400×260×270 mm
Net weight	9 kg	7 kg	7 kg
Gross weight	9 kg	8,3 kg	8,3 kg
Construction			
Protection class	IP 67 construction, IP 68 (1h max)/69 indicator	IP 67 construction, IP 68 (1h max)/69 indicator	IP 67 construction, IP 68 (1h max)/69 indicator
Communication interface			
USB Interface	1	1	1
RS232 Interface	1	1	1
Optional interfaces	RS232 or RS485 or 4IN/4OUT or Ethernet or analog output 4-20 mA	RS232 or RS485 or 4IN/4OUT or Ethernet or analog output 4-20 mA	RS232 or RS485 or 4IN/4OUT or Ethernet or analog output 4-20 mA
Electrical parameters			
Power supply	100 – 240 V AC 50/60 Hz	100 – 240 V AC 50/60 Hz	100 – 240 V AC 50/60 Hz
Optional power supply	internal rechargeable battery	internal rechargeable battery	internal rechargeable battery
Operation time on batteries	max 7h	max 7h	max 7h
Environmental conditions			
Operating temperature	-10 ÷ +40 °C	-10 ÷ +40 °C	-10 ÷ +40 °C

Datasheet

	H315.15.H1.K Waterproof Scale	H315.15.H4.K Waterproof Scale	H315.15.H5.K Waterproof Scale
Metrological parameters			
Maximum capacity [Max]	15 kg	15 kg	15 kg
Minimum load	100 g	100 g	100 g
Readability [d]	5 g	5 g	5 g
Tare range	-15 kg	-15 kg	-15 kg
Max readability for non-verified scale	0,5 g	1 g	1 g
OIML Class	III	III	III
Physical parameters			
Display	LCD (backlit)	LCD (backlit)	LCD (backlit)
Weighing pan dimensions	200×150 mm	500×500 mm	600×600 mm
Packaging dimensions	400×260×270 mm	610×610×330 mm	710×710×330 mm
Net weight	7 kg	23,5 kg	29,5 kg
Gross weight	8,3 kg	25,8 kg	31,8 kg
Construction			
Protection class	IP 67 construction, IP 68 (1h max)/69 indicator	IP 67 construction, IP 68 (1h max)/69 indicator	IP 67 construction, IP 68 (1h max)/69 indicator
Communication interface			
USB Interface	1	1	1
RS232 Interface	1	1	1
Optional interfaces	RS232 or RS485 or 4IN/4OUT or Ethernet or analog output 4-20 mA	RS232 or RS485 or 4IN/4OUT or Ethernet or analog output 4-20 mA	RS232 or RS485 or 4IN/4OUT or Ethernet or analog output 4-20 mA
Electrical parameters			
Power supply	100 – 240 V AC 50/60 Hz	100 – 240 V AC 50/60 Hz	100 – 240 V AC 50/60 Hz
Optional power supply	internal rechargeable battery	internal rechargeable battery	internal rechargeable battery
Operation time on batteries	max 7h	max 7h	max 7h
Environmental conditions			
Operating temperature	-10 ÷ +40 °C	-10 ÷ +40 °C	-10 ÷ +40 °C

Datasheet

	H315.15/30.H4.K Waterproof Scale	H315.15/30.H5.K Waterproof Scale	H315.15/30.H3.M Waterproof Scale
Metrological parameters			
Maximum capacity [Max]	15/30 kg	15/30 kg	15/30 kg
Minimum load	100 g	100 g	100 g
Readability [d]	5/10 g	5/10 g	5/10 g
Tare range	-30 kg	-30 kg	-30 kg
Max readability for non-verified scale			
OIML Class	III	III	III
Physical parameters			
Display	LCD (backlit)	LCD (backlit)	LCD (backlit)
Weighing pan dimensions	500×500 mm	600×600 mm	410×410 mm
Packaging dimensions	610×610×330 mm	710×710×330 mm	510×510×270 mm
Net weight	23,5 kg	29,5 kg	15,5 kg
Gross weight	25,8 kg	31,8 kg	17,3 kg
Construction			
Protection class	IP 67 construction, IP 68 (1h max)/69 indicator	IP 67 construction, IP 68 (1h max)/69 indicator	IP 67 construction, IP 68 (1h max)/69 indicator
Communication interface			
USB Interface	1	1	1
RS232 Interface	1	1	1
Optional interfaces	RS232 or RS485 or 4IN/4OUT or Ethernet or analog output 4-20 mA	RS232 or RS485 or 4IN/4OUT or Ethernet or analog output 4-20 mA	RS232 or RS485 or 4IN/4OUT or Ethernet or analog output 4-20 mA
Electrical parameters			
Power supply	100 – 240 V AC 50/60 Hz	100 – 240 V AC 50/60 Hz	100 – 240 V AC 50/60 Hz
Optional power supply	internal rechargeable battery	internal rechargeable battery	internal rechargeable battery
Operation time on batteries	max 7h	max 7h	max 7h
Environmental conditions			
Operating temperature	-10 ÷ +40 °C	-10 ÷ +40 °C	-10 ÷ +40 °C

Datasheet

	H315.15.H2.K Waterproof Scale	H315.15.H3.K Waterproof Scale	H315.15.H2.M Waterproof Scale
Metrological parameters			
Maximum capacity [Max]	15 kg	15 kg	15 kg
Minimum load	100 g	100 g	100 g
Readability [d]	5 g	5 g	5 g
Tare range	-15 kg	-15 kg	-15 kg
Max readability for non-verified scale	0,5 g	1 g	0,5 g
OIML Class	III	III	III
Physical parameters			
Display	LCD (backlit)	LCD (backlit)	LCD (backlit)
Weighing pan dimensions	250×300 mm	410×410 mm	250×300 mm
Packaging dimensions	560×310×270 mm	510×510×270 mm	560×310×270 mm
Net weight	9 kg	15,5 kg	9 kg
Gross weight	10,3 kg	17,3 kg	10,3 kg
Construction			
Protection class	IP 67 construction, IP 68 (1h max)/69 indicator	IP 67 construction, IP 68 (1h max)/69 indicator	IP 67 construction, IP 68 (1h max)/69 indicator
Communication interface			
USB Interface	1	1	1
RS232 Interface	1	1	1
Optional interfaces	RS232 or RS485 or 4IN/4OUT or Ethernet or analog output 4-20 mA	RS232 or RS485 or 4IN/4OUT or Ethernet or analog output 4-20 mA	RS232 or RS485 or 4IN/4OUT or Ethernet or analog output 4-20 mA
Electrical parameters			
Power supply	100 – 240 V AC 50/60 Hz	100 – 240 V AC 50/60 Hz	100 – 240 V AC 50/60 Hz
Optional power supply	internal rechargeable battery	internal rechargeable battery	internal rechargeable battery
Operation time on batteries	max 7h	max 7h	max 7h
Environmental conditions			
Operating temperature	-10 ÷ +40 °C	-10 ÷ +40 °C	-10 ÷ +40 °C

Datasheet

	H315.15/30.H2.K Waterproof Scale	H315.15.H3.M Waterproof Scale	H315.15/30.H3.K Waterproof Scale
Metrological parameters			
Maximum capacity [Max]	15/30 kg	15 kg	15/30 kg
Minimum load	100 g	100 g	100 g
Readability [d]	5/10 g	5 g	5/10 g
Tare range	-30 kg	-15 kg	-30 kg
Max readability for non-verified scale		1 g	
OIML Class	III	III	III
Physical parameters			
Display	LCD (backlit)	LCD (backlit)	LCD (backlit)
Weighing pan dimensions	250×300 mm	410×410 mm	410×410 mm
Packaging dimensions	560×310×270 mm	510×510×270 mm	510×510×270 mm
Net weight	9 kg	10,26 kg	15,5 kg
Gross weight	10,3 kg	17,3 kg	17,3 kg
Construction			
Protection class	IP 67 construction, IP 68 (1h max)/69 indicator	IP 67 construction, IP 68 (1h max)/69 indicator	IP 67 construction, IP 68 (1h max)/69 indicator
Communication interface			
USB Interface	1	1	1
RS232 Interface	1	1	1
Optional interfaces	RS232 or RS485 or 4IN/4OUT or Ethernet or analog output 4-20 mA	RS232 or RS485 or 4IN/4OUT or Ethernet or analog output 4-20 mA	RS232 or RS485 or 4IN/4OUT or Ethernet or analog output 4-20 mA
Electrical parameters			
Power supply	100 – 240 V AC 50/60 Hz	100 – 240 V AC 50/60 Hz	100 – 240 V AC 50/60 Hz
Optional power supply	internal rechargeable battery	internal rechargeable battery	internal rechargeable battery
Operation time on batteries	max 7h	max 7h	max 7h
Environmental conditions			
Operating temperature	-10 ÷ +40 °C	-10 ÷ +40 °C	-10 ÷ +40 °C

Datasheet

	H315.15.H1.M Waterproof Scale	H315.15.H4.M Waterproof Scale	H315.15.H5.M Waterproof Scale
Metrological parameters			
Maximum capacity [Max]	15 kg	15 kg	15 kg
Minimum load	100 g	100 g	100 g
Readability [d]	5 g	5 g	5 g
Tare range	-15 kg	-15 kg	-15 kg
Max readability for non-verified scale	0,5 g	1 g	1 g
OIML Class	III	III	III
Physical parameters			
Display	LCD (backlit)	LCD (backlit)	LCD (backlit)
Weighing pan dimensions	200×150 mm	500×500 mm	600×600 mm
Packaging dimensions	400×260×270 mm	610×610×330 mm	710×710×330 mm
Net weight	7 kg	23,5 kg	29,5 kg
Gross weight	8,3 kg	25,8 kg	31,8 kg
Construction			
Protection class	IP 67 construction, IP 68 (1h max)/69 indicator	IP 67 construction, IP 68 (1h max)/69 indicator	IP 67 construction, IP 68 (1h max)/69 indicator
Communication interface			
USB Interface	1	1	1
RS232 Interface	1	1	1
Optional interfaces	RS232 or RS485 or 4IN/4OUT or Ethernet or analog output 4-20 mA	RS232 or RS485 or 4IN/4OUT or Ethernet or analog output 4-20 mA	RS232 or RS485 or 4IN/4OUT or Ethernet or analog output 4-20 mA
Electrical parameters			
Power supply	100 – 240 V AC 50/60 Hz	100 – 240 V AC 50/60 Hz	100 – 240 V AC 50/60 Hz
Optional power supply	internal rechargeable battery	internal rechargeable battery	internal rechargeable battery
Operation time on batteries	max 7h	max 7h	max 7h
Environmental conditions			
Operating temperature	-10 ÷ +40 °C	-10 ÷ +40 °C	-10 ÷ +40 °C

Datasheet

	H315.15/30.H3/5.K Waterproof Scale	H315.30/60.H3.K Waterproof Scale	H315.30.H3/5.M Waterproof Scale
Metrological parameters			
Maximum capacity [Max]	15/30 kg	30/60 kg	30 kg
Minimum load	100 g	200 g	200 g
Readability [d]	5/10 g	10/20 g	10 g
Tare range	-30 kg	-60 kg	-30 kg
Max readability for non-verified scale			1 g
OIML Class	III	III	III
Physical parameters			
Display	LCD (backlit)	LCD (backlit)	LCD (backlit)
Weighing pan dimensions	400×600 mm	410×410 mm	400×600 mm
Packaging dimensions	710×510×330 mm	510×510×270 mm	710×510×330 mm
Net weight	15,5 kg	15,5 kg	15,5 kg
Gross weight	17,3 kg	17,3 kg	17,3 kg
Construction			
Protection class	IP 67 construction, IP 68 (1h max)/69 indicator	IP 67 construction, IP 68 (1h max)/69 indicator	IP 67 construction, IP 68 (1h max)/69 indicator
Communication interface			
USB Interface	1	1	1
RS232 Interface	1	1	1
Optional interfaces	RS232 or RS485 or 4IN/4OUT or Ethernet or analog output 4-20 mA	RS232 or RS485 or 4IN/4OUT or Ethernet or analog output 4-20 mA	RS232 or RS485 or 4IN/4OUT or Ethernet or analog output 4-20 mA
Electrical parameters			
Power supply	100 – 240 V AC 50/60 Hz	100 – 240 V AC 50/60 Hz	100 – 240 V AC 50/60 Hz
Optional power supply	internal rechargeable battery	internal rechargeable battery	internal rechargeable battery
Operation time on batteries	max 7h	max 7h	max 7h
Environmental conditions			
Operating temperature	-10 ÷ +40 °C	-10 ÷ +40 °C	-10 ÷ +40 °C

Datasheet

	H315.30/60.H3.M Waterproof Scale	H315.30.H3/5.K Waterproof Scale	H315.30/60.H3/5.K Waterproof Scale
Metrological parameters			
Maximum capacity [Max]	30/60 kg	30 kg	30/60 kg
Minimum load	200 g	200 g	200 g
Readability [d]	10/20 g	10 g	10/20 g
Tare range	-60 kg	-30 kg	-60 kg
Max readability for non-verified scale		1 g	
OIML Class	III	III	III
Physical parameters			
Display	LCD (backlit)	LCD (backlit)	LCD (backlit)
Weighing pan dimensions	410×410 mm	400×600 mm	400×600 mm
Packaging dimensions	510×510×270 mm	710×510×330 mm	710×510×330 mm
Net weight	15,5 kg	15,5 kg	15,5 kg
Gross weight	17,3 kg	17,3 kg	17,3 kg
Construction			
Protection class	IP 67 construction, IP 68 (1h max)/69 indicator	IP 67 construction, IP 68 (1h max)/69 indicator	IP 67 construction, IP 68 (1h max)/69 indicator
Communication interface			
USB Interface	1	1	1
RS232 Interface	1	1	1
Optional interfaces	RS232 or RS485 or 4IN/4OUT or Ethernet or analog output 4-20 mA	RS232 or RS485 or 4IN/4OUT or Ethernet or analog output 4-20 mA	RS232 or RS485 or 4IN/4OUT or Ethernet or analog output 4-20 mA
Electrical parameters			
Power supply	100 – 240 V AC 50/60 Hz	100 – 240 V AC 50/60 Hz	100 – 240 V AC 50/60 Hz
Optional power supply	internal rechargeable battery	internal rechargeable battery	internal rechargeable battery
Operation time on batteries	max 7h	max 7h	max 7h
Environmental conditions			
Operating temperature	-10 ÷ +40 °C	-10 ÷ +40 °C	-10 ÷ +40 °C

Datasheet

	H315.15.H3/5.M Waterproof Scale	H315.30.H2.K Waterproof Scale	H315.30/60.H3/5.M Waterproof Scale
Metrological parameters			
Maximum capacity [Max]	30 kg	30 kg	30/60 kg
Minimum load	200 g	200 g	200 g
Readability [d]	10 g	10 g	10/20 g
Tare range	-30 kg	-30 kg	-60 kg
Max readability for non-verified scale	1 g	1 g	
OIML Class	III	III	III
Physical parameters			
Display	LCD (backlit)	LCD (backlit)	LCD (backlit)
Weighing pan dimensions	400×600 mm	250×300 mm	400×600 mm
Packaging dimensions	710×510×330 mm	560×310×270 mm	830×620×270 mm
Net weight	15,5 kg	9 kg	15,5 kg
Gross weight	17,3 kg	10,3 kg	17,3 kg
Construction			
Protection class	IP 67 construction, IP 68 (1h max)/69 indicator	IP 67 construction, IP 68 (1h max)/69 indicator	IP 67 construction, IP 68 (1h max)/69 indicator
Communication interface			
USB Interface	1	1	1
RS232 Interface	1	1	1
Optional interfaces	RS232 or RS485 or 4IN/4OUT or Ethernet or analog output 4-20 mA	RS232 or RS485 or 4IN/4OUT or Ethernet or analog output 4-20 mA	RS232 or RS485 or 4IN/4OUT or Ethernet or analog output 4-20 mA
Electrical parameters			
Power supply	100 – 240 V AC 50/60 Hz	100 – 240 V AC 50/60 Hz	100 – 240 V AC 50/60 Hz
Optional power supply	internal rechargeable battery	internal rechargeable battery	internal rechargeable battery
Operation time on batteries	max 7h	max 7h	max 7h
Environmental conditions			
Operating temperature	-10 ÷ +40 °C	-10 ÷ +40 °C	-10 ÷ +40 °C

Datasheet

	H315.15.H3/5.K Waterproof Scale	H315.30.H2.M Waterproof Scale	H315.30/60.H4.K Waterproof Scale
Metrological parameters			
Maximum capacity [Max]	30 kg	30 kg	30/60 kg
Minimum load	200 g	200 g	200 g
Readability [d]	10 g	10 g	10/20 g
Tare range	-30 kg	-30 kg	-60 kg
Max readability for non-verified scale	1 g	1 g	
OIML Class	III	III	III
Physical parameters			
Display	LCD (backlit)	LCD (backlit)	LCD (backlit)
Weighing pan dimensions	400×600 mm	250×300 mm	500×500 mm
Packaging dimensions	710×510×330 mm	560×310×270 mm	610×610×330 mm
Net weight	15,5 kg	9 kg	23,5 kg
Gross weight	17,3 kg	10,3 kg	25,8 kg
Construction			
Protection class	IP 67 construction, IP 68 (1h max)/69 indicator	IP 67 construction, IP 68 (1h max)/69 indicator	IP 67 construction, IP 68 (1h max)/69 indicator
Communication interface			
USB Interface	1	1	1
RS232 Interface	1	1	1
Optional interfaces	RS232 or RS485 or 4IN/4OUT or Ethernet or analog output 4-20 mA	RS232 or RS485 or 4IN/4OUT or Ethernet or analog output 4-20 mA	RS232 or RS485 or 4IN/4OUT or Ethernet or analog output 4-20 mA
Electrical parameters			
Power supply	100 – 240 V AC 50/60 Hz	100 – 240 V AC 50/60 Hz	100 – 240 V AC 50/60 Hz
Optional power supply	internal rechargeable battery	internal rechargeable battery	internal rechargeable battery
Operation time on batteries	max 7h	max 7h	max 7h
Environmental conditions			
Operating temperature	-10 ÷ +40 °C	-10 ÷ +40 °C	-10 ÷ +40 °C

Datasheet

	H315.30.H3.K Waterproof Scale	H315.30.H4.M Waterproof Scale	H315.30.H5.M Waterproof Scale
Metrological parameters			
Maximum capacity [Max]	30 kg	30 kg	30 kg
Minimum load	200 g	200 g	200 g
Readability [d]	10 g	10 g	10 g
Tare range	-30 kg	-30 kg	-30 kg
Max readability for non-verified scale	1 g	1 g	1 g
OIML Class	III	III	III
Physical parameters			
Display	LCD (backlit)	LCD (backlit)	LCD (backlit)
Weighing pan dimensions	410×410 mm	500×500 mm	600×600 mm
Packaging dimensions	510×510×270 mm	610×610×330 mm	710×710×330 mm
Net weight	15,5 kg	23,5 kg	29,5 kg
Gross weight	11,5 kg	25,8 kg	31,8 kg
Construction			
Protection class	IP 67 construction, IP 68 (1h max)/69 indicator	IP 67 construction, IP 68 (1h max)/69 indicator	IP 67 construction, IP 68 (1h max)/69 indicator
Communication interface			
USB Interface	1	1	1
RS232 Interface	1	1	1
Optional interfaces	RS232 or RS485 or 4IN/4OUT or Ethernet or analog output 4-20 mA	RS232 or RS485 or 4IN/4OUT or Ethernet or analog output 4-20 mA	RS232 or RS485 or 4IN/4OUT or Ethernet or analog output 4-20 mA
Electrical parameters			
Power supply	100 – 240 V AC 50/60 Hz	100 – 240 V AC 50/60 Hz	100 – 240 V AC 50/60 Hz
Optional power supply	internal rechargeable battery	internal rechargeable battery	internal rechargeable battery
Operation time on batteries	max 7h	max 7h	max 7h
Environmental conditions			
Operating temperature	-10 ÷ +40 °C	-10 ÷ +40 °C	-10 ÷ +40 °C

Datasheet

	H315.30/60.H4.M Waterproof Scale	H315.30.H4.K Waterproof Scale	H315.30.H5.K Waterproof Scale
Metrological parameters			
Maximum capacity [Max]	30/60 kg	30 kg	30 kg
Minimum load	200 g	200 g	200 g
Readability [d]	10/20 g	10 g	10 g
Tare range	-60 kg	-30 kg	-30 kg
Max readability for non-verified scale		1 g	1 g
OIML Class	III	III	III
Physical parameters			
Display	LCD (backlit)	LCD (backlit)	LCD (backlit)
Weighing pan dimensions	500×500 mm	500×500 mm	600×600 mm
Packaging dimensions	610×610×330 mm	610×610×330 mm	710×710×330 mm
Net weight	23,5 kg	23,5 kg	29,5 kg
Gross weight	25,8 kg	25,8 kg	31,8 kg
Construction			
Protection class	IP 67 construction, IP 68 (1h max)/69 indicator	IP 67 construction, IP 68 (1h max)/69 indicator	IP 67 construction, IP 68 (1h max)/69 indicator
Communication interface			
USB Interface	1	1	1
RS232 Interface	1	1	1
Optional interfaces	RS232 or RS485 or 4IN/4OUT or Ethernet or analog output 4-20 mA	RS232 or RS485 or 4IN/4OUT or Ethernet or analog output 4-20 mA	RS232 or RS485 or 4IN/4OUT or Ethernet or analog output 4-20 mA
Electrical parameters			
Power supply	100 – 240 V AC 50/60 Hz	100 – 240 V AC 50/60 Hz	100 – 240 V AC 50/60 Hz
Optional power supply	internal rechargeable battery	internal rechargeable battery	internal rechargeable battery
Operation time on batteries	max 7h	max 7h	max 7h
Environmental conditions			
Operating temperature	-10 ÷ +40 °C	-10 ÷ +40 °C	-10 ÷ +40 °C

Datasheet

	H315.30/60.H5.K Waterproof Scale	H315.30.H3.M Waterproof Scale	H315.30/60.H5.M Waterproof Scale
Metrological parameters			
Maximum capacity [Max]	30/60 kg	30 kg	30/60 kg
Minimum load	200 g	200 g	200 g
Readability [d]	10/20 g	10 g	10/20 g
Tare range	-60 kg	-30 kg	-60 kg
Max readability for non-verified scale		1 g	
OIML Class	III	III	III
Physical parameters			
Display	LCD (backlit)	LCD (backlit)	LCD (backlit)
Weighing pan dimensions	600×600 mm	410×410 mm	600×600 mm
Packaging dimensions	710×710×330 mm	510×510×270 mm	710×710×330 mm
Net weight	29,5 kg	15,5 kg	29,5 kg
Gross weight	31,8 kg	11,5 kg	31,8 kg
Construction			
Protection class	IP 67 construction, IP 68 (1h max)/69 indicator	IP 67 construction, IP 68 (1h max)/69 indicator	IP 67 construction, IP 68 (1h max)/69 indicator
Communication interface			
USB Interface	1	1	1
RS232 Interface	1	1	1
Optional interfaces	RS232 or RS485 or 4IN/4OUT or Ethernet or analog output 4-20 mA	RS232 or RS485 or 4IN/4OUT or Ethernet or analog output 4-20 mA	RS232 or RS485 or 4IN/4OUT or Ethernet or analog output 4-20 mA
Electrical parameters			
Power supply	100 – 240 V AC 50/60 Hz	100 – 240 V AC 50/60 Hz	100 – 240 V AC 50/60 Hz
Optional power supply	internal rechargeable battery	internal rechargeable battery	internal rechargeable battery
Operation time on batteries	max 7h	max 7h	max 7h
Environmental conditions			
Operating temperature	-10 ÷ +40 °C	-10 ÷ +40 °C	-10 ÷ +40 °C

Datasheet

	H315.60.H3.M Waterproof Scale	H315.60.H4.K Waterproof Scale	H315.60/150.H6.K Waterproof Scale
Metrological parameters			
Maximum capacity [Max]	60 kg	60 kg	60/150 kg
Minimum load	400 g	400 g	400 g
Readability [d]	20 g	20 g	20/50 g
Tare range	-60 kg	-60 kg	-150 kg
Max readability for non-verified scale	2 g	2 g	
OIML Class	III	III	III
Physical parameters			
Display	LCD (backlit)	LCD (backlit)	LCD (backlit)
Weighing pan dimensions	410×410 mm	500×500 mm	800×800 mm
Packaging dimensions	510×510×270 mm	610×610×330 mm	1250×820×270 mm
Net weight	10,36 kg	23,5 kg	42,5 kg
Gross weight	11,5 kg	25,8 kg	45,8 kg
Construction			
Protection class	IP 67 construction, IP 68 (1h max)/69 indicator	IP 67 construction, IP 68 (1h max)/69 indicator	IP 67 construction, IP 68 (1h max)/69 indicator
Communication interface			
USB Interface	1	1	1
RS232 Interface	1	1	1
Optional interfaces	RS232 or RS485 or 4IN/4OUT or Ethernet or analog output 4-20 mA	RS232 or RS485 or 4IN/4OUT or Ethernet or analog output 4-20 mA	RS232 or RS485 or 4IN/4OUT or Ethernet or analog output 4-20 mA
Electrical parameters			
Power supply	100 – 240 V AC 50/60 Hz	100 – 240 V AC 50/60 Hz	100 – 240 V AC 50/60 Hz
Optional power supply	internal rechargeable battery	internal rechargeable battery	internal rechargeable battery
Operation time on batteries	max 7h	max 7h	max 7h
Environmental conditions			
Operating temperature	-10 ÷ +40 °C	-10 ÷ +40 °C	-10 ÷ +40 °C

Datasheet

	H315.60.H3/5.K Waterproof Scale	H315.60.H6.M Waterproof Scale	H315.60.H4.M Waterproof Scale
Metrological parameters			
Maximum capacity [Max]	60 kg	60 kg	60 kg
Minimum load	400 g	400 g	400 g
Readability [d]	20 g	20 g	20 g
Tare range	-60 kg	-60 kg	-60 kg
Max readability for non-verified scale	2 g	5 g	2 g
OIML Class	III	III	III
Physical parameters			
Display	LCD (backlit)	LCD (backlit)	LCD (backlit)
Weighing pan dimensions	400×600 mm	800×800 mm	500×500 mm
Packaging dimensions	710×510×330 mm	1250×820×270 mm	610×610×330 mm
Net weight	15,5 kg	42,5 kg	23,5 kg
Gross weight	17,3 kg	45,8 kg	25,8 kg
Construction			
Protection class	IP 67 construction, IP 68 (1h max)/69 indicator	IP 67 construction, IP 68 (1h max)/69 indicator	IP 67 construction, IP 68 (1h max)/69 indicator
Communication interface			
USB Interface	1	1	1
RS232 Interface	1	1	1
Optional interfaces	RS232 or RS485 or 4IN/4OUT or Ethernet or analog output 4-20 mA	RS232 or RS485 or 4IN/4OUT or Ethernet or analog output 4-20 mA	RS232 or RS485 or 4IN/4OUT or Ethernet or analog output 4-20 mA
Electrical parameters			
Power supply	100 – 240 V AC 50/60 Hz	100 – 240 V AC 50/60 Hz	100 – 240 V AC 50/60 Hz
Optional power supply	internal rechargeable battery	internal rechargeable battery	internal rechargeable battery
Operation time on batteries	max 7h	max 7h	max 7h
Environmental conditions			
Operating temperature	-10 ÷ +40 °C	-10 ÷ +40 °C	-10 ÷ +40 °C

Datasheet

	H315.60.H5.K Waterproof Scale	H315.60.H6.K Waterproof Scale	H315.60/150.H3.K Waterproof Scale
Metrological parameters			
Maximum capacity [Max]	60 kg	60 kg	60/150 kg
Minimum load	400 g	400 g	400 g
Readability [d]	20 g	20 g	20/50 g
Tare range	-60 kg	-60 kg	-150 kg
Max readability for non-verified scale	2 g	5 g	
OIML Class	III	III	III
Physical parameters			
Display	LCD (backlit)	LCD (backlit)	LCD (backlit)
Weighing pan dimensions	600×600 mm	800×800 mm	410×410 mm
Packaging dimensions	710×710×330 mm	1250×820×270 mm	510×510×270 mm
Net weight	29,5 kg	42,5 kg	15,5 kg
Gross weight	31,8 kg	45,8 kg	17,3 kg
Construction			
Protection class	IP 67 construction, IP 68 (1h max)/69 indicator	IP 67 construction, IP 68 (1h max)/69 indicator	IP 67 construction, IP 68 (1h max)/69 indicator
Communication interface			
USB Interface	1	1	1
RS232 Interface	1	1	1
Optional interfaces	RS232 or RS485 or 4IN/4OUT or Ethernet or analog output 4-20 mA	RS232 or RS485 or 4IN/4OUT or Ethernet or analog output 4-20 mA	RS232 or RS485 or 4IN/4OUT or Ethernet or analog output 4-20 mA
Electrical parameters			
Power supply	100 – 240 V AC 50/60 Hz	100 – 240 V AC 50/60 Hz	100 – 240 V AC 50/60 Hz
Optional power supply	internal rechargeable battery	internal rechargeable battery	internal rechargeable battery
Operation time on batteries	max 7h	max 7h	max 7h
Environmental conditions			
Operating temperature	-10 ÷ +40 °C	-10 ÷ +40 °C	-10 ÷ +40 °C

Datasheet

	H315.60.H5.M Waterproof Scale	H315.60/150.H3/5.M Waterproof Scale	H315.60/150.H4.K Waterproof Scale
Metrological parameters			
Maximum capacity [Max]	60 kg	60/150 kg	60/150 kg
Minimum load	400 g	400 g	400 g
Readability [d]	20 g	20/50 g	20/50 g
Tare range	-60 kg	-150 kg	-150 kg
Max readability for non-verified scale	2 g		
OIML Class	III	III	III
Physical parameters			
Display	LCD (backlit)	LCD (backlit)	LCD (backlit)
Weighing pan dimensions	600×600 mm	400×600 mm	500×500 mm
Packaging dimensions	710×710×330 mm	710×510×330 mm	610×610×330 mm
Net weight	29,5 kg	15,5 kg	23,5 kg
Gross weight	31,8 kg	17,3 kg	25,8 kg
Construction			
Protection class	IP 67 construction, IP 68 (1h max)/69 indicator	IP 67 construction, IP 68 (1h max)/69 indicator	IP 67 construction, IP 68 (1h max)/69 indicator
Communication interface			
USB Interface	1	1	1
RS232 Interface	1	1	1
Optional interfaces	RS232 or RS485 or 4IN/4OUT or Ethernet or analog output 4-20 mA	RS232 or RS485 or 4IN/4OUT or Ethernet or analog output 4-20 mA	RS232 or RS485 or 4IN/4OUT or Ethernet or analog output 4-20 mA
Electrical parameters			
Power supply	100 – 240 V AC 50/60 Hz	100 – 240 V AC 50/60 Hz	100 – 240 V AC 50/60 Hz
Optional power supply	internal rechargeable battery	internal rechargeable battery	internal rechargeable battery
Operation time on batteries	max 7h	max 7h	max 7h
Environmental conditions			
Operating temperature	-10 ÷ +40 °C	-10 ÷ +40 °C	-10 ÷ +40 °C

Datasheet

	H315.60.H3.K Waterproof Scale	H315.60/150.H4.M Waterproof Scale	H315.60.H3/5.M Waterproof Scale
Metrological parameters			
Maximum capacity [Max]	60 kg	60/150 kg	60 kg
Minimum load	400 g	400 g	400 g
Readability [d]	20 g	20/50 g	20 g
Tare range	-60 kg	-150 kg	-60 kg
Max readability for non-verified scale	2 g		2 g
OIML Class	III	III	III
Physical parameters			
Display	LCD (backlit)	LCD (backlit)	LCD (backlit)
Weighing pan dimensions	410×410 mm	500×500 mm	400×600 mm
Packaging dimensions	510×510×270 mm	610×610×330 mm	710×510×330 mm
Net weight	15,5 kg	23,5 kg	15,5 kg
Gross weight	11,5 kg	25,8 kg	17,3 kg
Construction			
Protection class	IP 67 construction, IP 68 (1h max)/69 indicator	IP 67 construction, IP 68 (1h max)/69 indicator	IP 67 construction, IP 68 (1h max)/69 indicator
Communication interface			
USB Interface	1	1	1
RS232 Interface	1	1	1
Optional interfaces	RS232 or RS485 or 4IN/4OUT or Ethernet or analog output 4-20 mA	RS232 or RS485 or 4IN/4OUT or Ethernet or analog output 4-20 mA	RS232 or RS485 or 4IN/4OUT or Ethernet or analog output 4-20 mA
Electrical parameters			
Power supply	100 – 240 V AC 50/60 Hz	100 – 240 V AC 50/60 Hz	100 – 240 V AC 50/60 Hz
Optional power supply	internal rechargeable battery	internal rechargeable battery	internal rechargeable battery
Operation time on batteries	max 7h	max 7h	max 7h
Environmental conditions			
Operating temperature	-10 ÷ +40 °C	-10 ÷ +40 °C	-10 ÷ +40 °C

Datasheet

	H315.60/150.H5.K Waterproof Scale	H315.150.H3/5.M Waterproof Scale	H315.150.H3.M Waterproof Scale
Metrological parameters			
Maximum capacity [Max]	60/150 kg	150 kg	150 kg
Minimum load	400 g	1 kg	1 kg
Readability [d]	20/50 g	50 g	50 g
Tare range	-150 kg	-150 kg	-150 kg
Max readability for non-verified scale		5 g	5 g
OIML Class	III	III	III
Physical parameters			
Display	LCD (backlit)	LCD (backlit)	LCD (backlit)
Weighing pan dimensions	600×600 mm	400×600 mm	410×410 mm
Packaging dimensions	710×710×330 mm	710×510×330 mm	510×510×270 mm
Net weight	29,5 kg	15,5 kg	15,5 kg
Gross weight	31,8 kg	17,3 kg	12 kg
Construction			
Protection class	IP 67 construction, IP 68 (1h max)/69 indicator	IP 67 construction, IP 68 (1h max)/69 indicator	IP 67 construction, IP 68 (1h max)/69 indicator
Communication interface			
USB Interface	1	1	1
RS232 Interface	1	1	1
Optional interfaces	RS232 or RS485 or 4IN/4OUT or Ethernet or analog output 4-20 mA	RS232 or RS485 or 4IN/4OUT or Ethernet or analog output 4-20 mA	RS232 or RS485 or 4IN/4OUT or Ethernet or analog output 4-20 mA
Electrical parameters			
Power supply	100 – 240 V AC 50/60 Hz	100 – 240 V AC 50/60 Hz	100 – 240 V AC 50/60 Hz
Optional power supply	internal rechargeable battery	internal rechargeable battery	internal rechargeable battery
Operation time on batteries	max 7h	max 7h	max 7h
Environmental conditions			
Operating temperature	-10 ÷ +40 °C	-10 ÷ +40 °C	-10 ÷ +40 °C

Datasheet

	H315.150.H4.K Waterproof Scale	H315.150.H3/5.K Waterproof Scale	H315.150.H4.M Waterproof Scale
Metrological parameters			
Maximum capacity [Max]	150 kg	150 kg	150 kg
Minimum load	1 kg	1 kg	1 kg
Readability [d]	50 g	50 g	50 g
Tare range	-150 kg	-150 kg	-150 kg
Max readability for non-verified scale	5 g	5 g	5 g
OIML Class	III	III	III
Physical parameters			
Display	LCD (backlit)	LCD (backlit)	LCD (backlit)
Weighing pan dimensions	500×500 mm	400×600 mm	500×500 mm
Packaging dimensions	610×610×330 mm	710×510×330 mm	610×610×330 mm
Net weight	23,5 kg	15,5 kg	23,5 kg
Gross weight	25,8 kg	17,3 kg	21,5 kg
Construction			
Protection class	IP 67 construction, IP 68 (1h max)/69 indicator	IP 67 construction, IP 68 (1h max)/69 indicator	IP 67 construction, IP 68 (1h max)/69 indicator
Communication interface			
USB Interface	1	1	1
RS232 Interface	1	1	1
Optional interfaces	RS232 or RS485 or 4IN/4OUT or Ethernet or analog output 4-20 mA	RS232 or RS485 or 4IN/4OUT or Ethernet or analog output 4-20 mA	RS232 or RS485 or 4IN/4OUT or Ethernet or analog output 4-20 mA
Electrical parameters			
Power supply	100 – 240 V AC 50/60 Hz	100 – 240 V AC 50/60 Hz	100 – 240 V AC 50/60 Hz
Optional power supply	internal rechargeable battery	internal rechargeable battery	internal rechargeable battery
Operation time on batteries	max 7h	max 7h	max 7h
Environmental conditions			
Operating temperature	-10 ÷ +40 °C	-10 ÷ +40 °C	-10 ÷ +40 °C

Datasheet

	H315.150.H5.K Waterproof Scale	H315.150/300.H5.K Waterproof Scale	H315.150/300.H6.K Waterproof Scale
Metrological parameters			
Maximum capacity [Max]	150 kg	150/300 kg	150/300 kg
Minimum load	1 kg	1 kg	1 kg
Readability [d]	50 g	50/100 g	50/100 g
Tare range	-150 kg	-300 kg	-300 kg
Max readability for non-verified scale	5 g		
OIML Class	III	III	III
Physical parameters			
Display	LCD (backlit)	LCD (backlit)	LCD (backlit)
Weighing pan dimensions	600×600 mm	600×600 mm	800×800 mm
Packaging dimensions	710×710×330 mm	710×710×330 mm	1250×820×270 mm
Net weight	29,5 kg	29,5 kg	42,5 kg
Gross weight	31,8 kg	31,8 kg	45,8 kg
Construction			
Protection class	IP 67 construction, IP 68 (1h max)/69 indicator	IP 67 construction, IP 68 (1h max)/69 indicator	IP 67 construction, IP 68 (1h max)/69 indicator
Communication interface			
USB Interface	1	1	1
RS232 Interface	1	1	1
Optional interfaces	RS232 or RS485 or 4IN/4OUT or Ethernet or analog output 4-20 mA	RS232 or RS485 or 4IN/4OUT or Ethernet or analog output 4-20 mA	RS232 or RS485 or 4IN/4OUT or Ethernet or analog output 4-20 mA
Electrical parameters			
Power supply	100 – 240 V AC 50/60 Hz	100 – 240 V AC 50/60 Hz	100 – 240 V AC 50/60 Hz
Optional power supply	internal rechargeable battery	internal rechargeable battery	internal rechargeable battery
Operation time on batteries	max 7h	max 7h	max 7h
Environmental conditions			
Operating temperature	-10 ÷ +40 °C	-10 ÷ +40 °C	-10 ÷ +40 °C

Datasheet

	H315.150.H5.M Waterproof Scale	H315.150.H6.K Waterproof Scale	H315.150.H6.M Waterproof Scale
Metrological parameters			
Maximum capacity [Max]	150 kg	150 kg	150 kg
Minimum load	1 kg	1 kg	1 kg
Readability [d]	50 g	50 g	50 g
Tare range	-150 kg	-150 kg	-150 kg
Max readability for non-verified scale	5 g	10 g	10 g
OIML Class	III	III	III
Physical parameters			
Display	LCD (backlit)	LCD (backlit)	LCD (backlit)
Weighing pan dimensions	600×600 mm	800×800 mm	800×800 mm
Packaging dimensions	710×710×330 mm	1250×820×270 mm	1250×820×270 mm
Net weight	29,5 kg	42,5 kg	42,5 kg
Gross weight	31,8 kg	45,8 kg	45,8 kg
Construction			
Protection class	IP 67 construction, IP 68 (1h max)/69 indicator	IP 67 construction, IP 68 (1h max)/69 indicator	IP 67 construction, IP 68 (1h max)/69 indicator
Communication interface			
USB Interface	1	1	1
RS232 Interface	1	1	1
Optional interfaces	RS232 or RS485 or 4IN/4OUT or Ethernet or analog output 4-20 mA	RS232 or RS485 or 4IN/4OUT or Ethernet or analog output 4-20 mA	RS232 or RS485 or 4IN/4OUT or Ethernet or analog output 4-20 mA
Electrical parameters			
Power supply	100 – 240 V AC 50/60 Hz	100 – 240 V AC 50/60 Hz	100 – 240 V AC 50/60 Hz
Optional power supply	internal rechargeable battery	internal rechargeable battery	internal rechargeable battery
Operation time on batteries	max 7h	max 7h	max 7h
Environmental conditions			
Operating temperature	-10 ÷ +40 °C	-10 ÷ +40 °C	-10 ÷ +40 °C

Datasheet

	H315.150.H3.K Waterproof Scale	H315.300.H6.M Waterproof Scale	H315.300.H5.K Waterproof Scale
Metrological parameters			
Maximum capacity [Max]	150 kg	300 kg	300 kg
Minimum load	1 kg	2 kg	2 kg
Readability [d]	50 g	100 g	100 g
Tare range	-150 kg	-300 kg	-300 kg
Max readability for non-verified scale	5 g	20 g	10 g
OIML Class	III	III	III
Physical parameters			
Display	LCD (backlit)	LCD (backlit)	LCD (backlit)
Weighing pan dimensions	410×410 mm	800×800 mm	600×600 mm
Packaging dimensions	510×510×270 mm	1250×820×270 mm	710×710×330 mm
Net weight	15,5 kg	42,5 kg	29,5 kg
Gross weight	17,3 kg	45,8 kg	31,8 kg
Construction			
Protection class	IP 67 construction, IP 68 (1h max)/69 indicator	IP 67 construction, IP 68 (1h max)/69 indicator	IP 67 construction, IP 68 (1h max)/69 indicator
Communication interface			
USB Interface	1	1	1
RS232 Interface	1	1	1
Optional interfaces	RS232 or RS485 or 4IN/4OUT or Ethernet or analog output 4-20 mA	RS232 or RS485 or 4IN/4OUT or Ethernet or analog output 4-20 mA	RS232 or RS485 or 4IN/4OUT or Ethernet or analog output 4-20 mA
Electrical parameters			
Power supply	100 – 240 V AC 50/60 Hz	100 – 240 V AC 50/60 Hz	100 – 240 V AC 50/60 Hz
Optional power supply	internal rechargeable battery	internal rechargeable battery	internal rechargeable battery
Operation time on batteries	max 7h	max 7h	max 7h
Environmental conditions			
Operating temperature	-10 ÷ +40 °C	-10 ÷ +40 °C	-10 ÷ +40 °C

Datasheet

	H315.300.H5.M Waterproof Scale	H315.300.H6.K Waterproof Scale
Metrological parameters		
Maximum capacity [Max]	300 kg	300 kg
Minimum load	2 kg	2 kg
Readability [d]	100 g	100 g
Tare range	-300 kg	-300 kg
Max readability for non-verified scale	10 g	20 g
OIML Class	III	III
Physical parameters		
Display	LCD (backlit)	LCD (backlit)
Weighing pan dimensions	600×600 mm	800×800 mm
Packaging dimensions	710×710×330 mm	1250×820×270 mm
Net weight	29,5 kg	42,5 kg
Gross weight	31,8 kg	45,8 kg
Construction		
Protection class	IP 67 construction, IP 68 (1h max)/69 indicator	IP 67 construction, IP 68 (1h max)/69 indicator
Communication interface		
USB Interface	1	1
RS232 Interface	1	1
Optional interfaces	RS232 or RS485 or 4IN/4OUT or Ethernet or analog output 4-20 mA	RS232 or RS485 or 4IN/4OUT or Ethernet or analog output 4-20 mA
Electrical parameters		
Power supply	100 – 240 V AC 50/60 Hz	100 – 240 V AC 50/60 Hz
Optional power supply	internal rechargeable battery	internal rechargeable battery
Operation time on batteries	max 7h	max 7h
Environmental conditions		
Operating temperature	-10 ÷ +40 °C	-10 ÷ +40 °C



Extra payment for verification



Accessories

RS 232 cables (scale - printer)
 Roller Table
 Antivibration Tables
 RS 232, RS 485 cables
 Displays
 RS 232 cables (scale - Ethernet)
 RS 232 – Ethernet Converter

USB adapter
 Receipt Printer
 USB cable (scale - printer)
 Stands, wall mounting kits and mounting brackets
 RS 232 – USB Converter
 RS 232, RS 485 cables

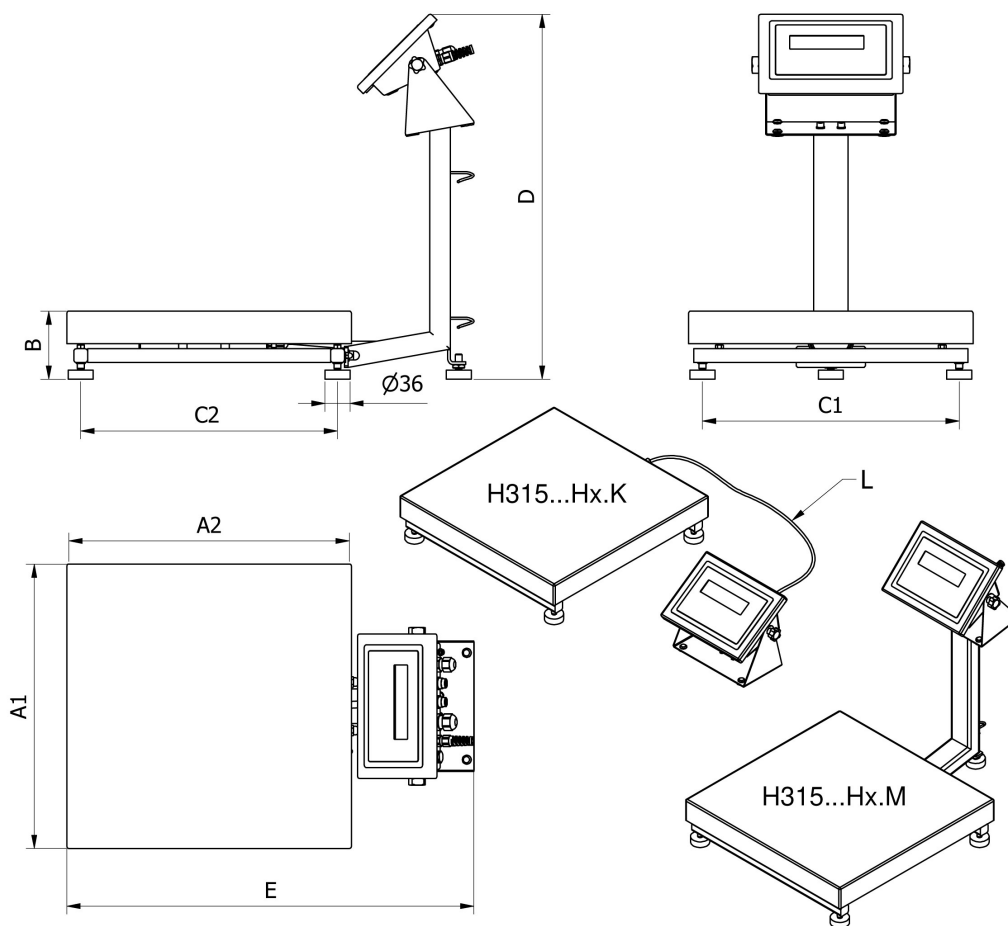
Software

RAD-KEY
 R-LAB

LabVIEW Driver
 Scales Editor 2.1

Device dimensions

H315.15/30.H2.K Waterproof Scale, H315.300.H5.M Waterproof Scale, H315.30/60.H4.M Waterproof Scale, H315.150.H3.K Waterproof Scale, H315.150.H4.K Waterproof Scale, H315.1,5.H1.M Waterproof Scale, H315.6.H1.K Waterproof Scale, H315.15.H5.M Waterproof Scale, H315.15/30.H4.K Waterproof Scale, H315.3/6.H2.M Waterproof Scale, H315.15.H3/5.K Waterproof Scale, H315.15/30.H3.K Waterproof Scale, H315.60.H4.K Waterproof Scale, H315.300.H6.M Waterproof Scale, H315.3/6.H1.K Waterproof Scale, H315.30/60.H3/5.M Waterproof Scale, H315.30.H3.K Waterproof Scale, H315.3.H2.M Waterproof Scale, H315.60.H6.K Waterproof Scale, H315.6/15.H2.K Waterproof Scale, H315.300.H5.K Waterproof Scale, H315.150.H6.K Waterproof Scale, H315.30.H2.K Waterproof Scale, H315.60.H3/5.M Waterproof Scale, H315.15/30.H3.M Waterproof Scale, H315.60.H3/5.K Waterproof Scale, H315.150.H3.M Waterproof Scale, H315.15.H4.K Waterproof Scale, H315.15/30.H3/5.K Waterproof Scale, H315.30/60.H5.M Waterproof Scale, H315.150/300.H6.K Waterproof Scale, H315.1,5.H1.K Waterproof Scale, H315.30/60.H3.M Waterproof Scale, H315.6.H2.M Waterproof Scale, H315.15.H2.K Waterproof Scale, H315.15/30.H5.K Waterproof Scale, H315.150.H6.M Waterproof Scale, H315.30/60.H3.K Waterproof Scale, H315.6.H3.K Waterproof Scale, H315.60.H4.M Waterproof Scale, H315.150.H4.M Waterproof Scale, H315.150/300.H5.K Waterproof Scale, H315.30.H3.M Waterproof Scale, H315.60/150.H3.K Waterproof Scale, H315.30.H4.K Waterproof Scale, H315.6.H1.M Waterproof Scale, H315.3.H1.K Waterproof Scale, H315.60/150.H4.K Waterproof Scale, H315.150.H5.M Waterproof Scale, H315.15.H1.M Waterproof Scale, H315.15.H3.M Waterproof Scale, H315.150.H3/5.M Waterproof Scale, H315.15.H3/5.M Waterproof Scale, H315.30.H3/5.K Waterproof Scale, H315.60/150.H4.M Waterproof Scale, H315.300.H6.K Waterproof Scale, H315.30.H4.M Waterproof Scale, H315.6.H3.M Waterproof Scale, H315.3.H2.K Waterproof Scale, H315.30.H5.M Waterproof Scale, H315.15.H2.M Waterproof Scale, H315.6/15.H1.K Waterproof Scale, H315.60.H5.M Waterproof Scale, H315.60/150.H3/5.M Waterproof Scale, H315.30.H3/5.M Waterproof Scale, H315.60/150.H6.K Waterproof Scale, H315.30/60.H4.K Waterproof Scale, H315.15.H1.K Waterproof Scale, H315.60/150.H5.K Waterproof Scale, H315.60.H6.M Waterproof Scale, H315.15.H3.K Waterproof Scale, H315.30.H5.K Waterproof Scale, H315.60.H5.K Waterproof Scale, H315.6.H2.K Waterproof Scale, H315.60.H3.K Waterproof Scale, H315.150.H5.K Waterproof Scale, H315.6/15.H2.M Waterproof Scale, H315.30/60.H3/5.K Waterproof Scale, H315.30.H2.M Waterproof Scale, H315.3/6.H2.K Waterproof Scale, H315.15.H4.M Waterproof Scale, H315.60.H3.M Waterproof Scale, H315.15.H5.K Waterproof Scale, H315.150.H3/5.K Waterproof Scale, H315.30/60.H5.K Waterproof Scale, H315.3.H1.M Waterproof



		A1	A2	B	C1	C2	D	E	L
H135...H1.M	150 x 200	152	202	87 ± 3	110	190	~443	~361	
H135...H1.K	150 x 200	152	202	87 ± 3	110	146	-	-	1,5m
H315...H2.M	250 x 300	246	306	104 ± 3	208	268	~525	~483	
H315...H2.K	250 x 300	246	306	104 ± 3	208	268	-	-	1,5m
H315...H3.M	410 x 410	410	410	98 ± 2	370	370	~525	~587	
H315...H3.K	410 x 410	410	410	98 ± 2	370	370	-	-	2,5m
H315...H4.M	500 x 500	497	497	155 ± 5	400	400	~767	~650	
H315...H4.K	500 x 500	497	497	155 ± 5	400	400	-	-	2,5m
H315...H3/5.M	400 x 600	597	397	155 ± 5	500	300	~767	~550	
H315...H3/5.K	400 x 600	597	397	155 ± 5	500	300	-	-	2,5m
H315...H5.M	600 x 600	597	597	155 ± 5	500	500	~767	~750	
H315...H5.K	600 x 600	597	597	155 ± 5	500	500	-	-	2,5m
H315...H6.M	800 x 800	799	799	135 ± 5	720	740	~773	~976	
H315...H6.K	800 x 800	799	799	135 ± 5	720	740	-	-	2,5m

Scale