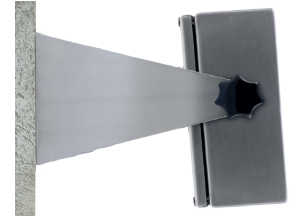


PUE C/31H Indicator

Standard weighing and mobility in challenging ambient conditions



PUE C/31H












Possibility to mount the indicator to the wall



Communication interfaces

Functions

-  Parts counting
-  Percent weighing
-  Totalizing
-  In-built battery
-  Replaceable units
-  +/- Control
-  Animal weighing
-  Peak hold
-  Stainless steel design

Features

Operation in Harsh Conditions

PUEC/31H and PUEC/31H/Z indicators are intended to be components of industrial scales. Stainless steel housing with IP68/69 ingress protection enables their application in challenging environment.

Uncomplicated Operation and Clear Presentation of Indications

A clear 6-digit LCD display with backlight and pictograms provides clearly visible measurement result. Easy operation enables fast and reliable measurements to be carried out even by an inexperienced operator.

Uncomplicated Operation and Clear Presentation of Indications

A clear 6-digit LCD display with backlight and pictograms provides clearly visible measurement result. Easy operation enables fast and reliable measurements to be carried out even by an inexperienced operator.

Mobility due to an Internal Battery

In addition to power supply from the mains, PUE C/31H indicator is equipped with internal battery that enables several hours long mobile operation.

Ergonomics and Comfort of Operation

With use of a long cable it is possible to locate the indicator in a place facilitating convenient operation or on the wall. An additional accessory enables placing the indicator on a stand.

Technical Specifications

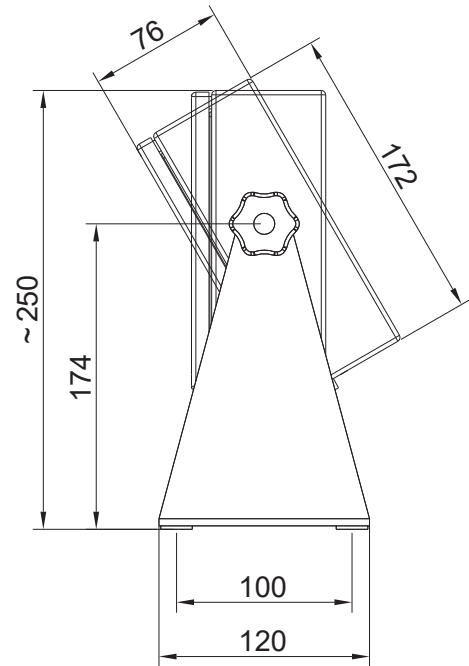
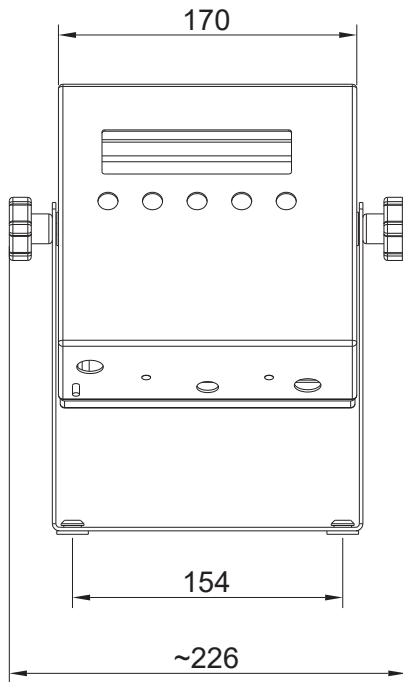
	PUE C/31H	PUE C/31H/Z
Maximum quantity of verification units [e]	6000	6000
OIML class	III	III
Maximum signal gain	19.2 mV	19.2 mV
Maximum voltage per verification unit	3.2 μ V	3.2 μ V
Minimum voltage per verification unit	1.0 μ V	1.0 μ V
Minimum load cells impedance	80 Ω	80 Ω
Maximum load cells impedance	1200 Ω	1200 Ω
Supply voltage of load cell	5V DC	5V DC
Load cells wiring	4 or 6 wires + shield	4 or 6 wires + shield
Multi range	1 or 2 ranges	1 or 2 ranges
Housing	AISI304 stainless steel	AISI304 stainless steel
Ingress protection	IP 68 (1h max)/69	IP 68 (1h max)/69
Display	LCD (with backlight)	LCD (with backlight)
Keypad	microswitch	microswitch
Keys quantity	5	5
Additional display	LCD*	LCD*
RS 232	1	1
Power supply	100 \div 240 V AC 50 \div 60 Hz + battery	100 \div 240 V AC 50 \div 60 Hz / 12 V DC /+ battery 10-18V DC, I _{max} = 600 mA**
Means of power supply	power supply cable built in get cell SLA accumulato	power adapter for charging battery built in SLA battery
Battery operating time	45 h (average time)	45 h (average time)
Power consumption	6 W	6 W
Operating temperature	-10 \div +40 $^{\circ}$ C	-10 \div +40 $^{\circ}$ C
Relative humidity **	10 \div 80%	10 \div 80%
Transport and storage temperature	-10 \div +50 $^{\circ}$ C	-10 \div +50 $^{\circ}$ C
Overall dimensions	226 \times 250 \times 120 mm	226 \times 250 \times 120 mm
Net weight	3.4 kg	3.4 kg
Gross weight	4.2 kg	4.2 kg
Packaging dimensions	300 \times 250 \times 140 mm	300 \times 250 \times 140 mm

* optional version

** optional power supply from car electrical system

*** non-condensing conditions

Dimensions



Accessories

Peripheral Devices

- Epson dot matrix printer
- LCD – WD-4/3 display (backlit)
- WWG-2/3 large-size display

Cables, Converters

- RS 232 – PT0259 cable (scale - indicator)
- RS 232 – PT0326 cable (indicator– indicator)
- RS-232 – P0151 Epson printer cable

- RS232 – KR-04-2 converter
- RS232 – KR-04-3 converter
- AP2-3 current loop unit (in stainless steel housing)
- external power supply - K0046D (for PUE C/31H/Z)
- K0047 – cigarette lighter cable

Remaining Accessories

- stands for indicators

Dedicated Software

R-LAB

- collecting measurements
- statistical analysis of measurements
- customized graphs and reports

LabView Driver

- operation of RADWAG scales in LabView environment

Scale Editor

- Software designed to enable change of parameters in the PUEC/31 indicator.

Radwag Development Studio

- presentation of functions (and subfunctions) of communication protocol (Common Communication Protocol)
- possibility of connection with weighing equipment on which each function is carried out,
- library with mass control, contained within the development environment
- complete documentation of the communication protocol
- set of user manuals for different solutions addressed for programmers employed in companies using RADWAG-manufactured weighing equipment

RADWAG Connect

- establishing communication with all balances, scales and weighing modules using Common Communication Protocol
- communication via local network,
- support of basic functions
- auto searching for devices
- connecting with few devices simultaneously, swapping between them
- clear list of connected platforms
- record of measurements in the program,
- export of carried out measurements to CSV file,
- work performed using freely selected device with Windows 10 operating system

RAD KEY

- Establishing scale-computer cooperation

R.Barcode

- The basic function of the software is presentation of the data sent by barcode scanners connected to PC via USB or RS232