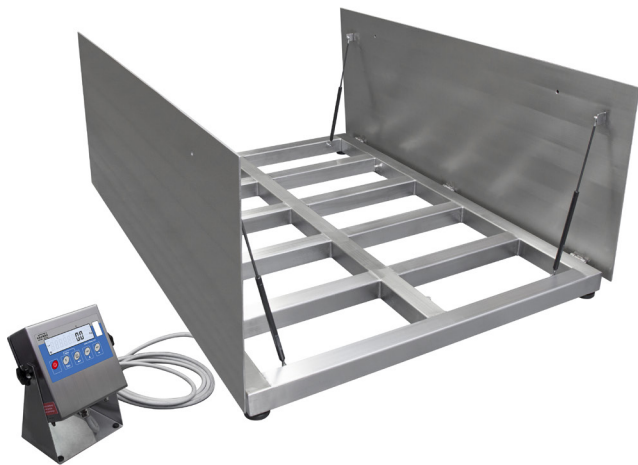


# Stainless Steel WPT/4 H/Z

## 4 Load Cell Platform Scale, Pit Version

Measurements of large loads in moist environment  
Installation in the ground and access to scale design



WPT/4 /HZ



Opened weighing pan



Stainless steel platform and weighing pan



PUE C/31H indicator with LCD display in stainless steel housing

### Functions

- Parts counting
- Percent weighing
- Totalizing
- In-built battery
- Replaceable units
- +/- control
- Animal weighing
- Peak hold
- Stainless steel design

### Features

#### Precise Weighing Indications in Challenging Industrial Conditions

Mass measurement carried out using 4 load cells guarantees weighing accuracy regardless positioning of the load on the platform. The scale ensures precise and fast mass measurement in challenging industrial conditions.

#### Robustness and Resistance to Ambient Conditions

Robust platform made of stainless steel allows to operate large loads in moist environment and at direct contact with water (e.g. meat and fish industry).

#### Versatility of Use

The scale can be embedded in the ground which enables easy entry of the loads without a necessity for ramps application. Opened weighing pan enables easy access to scale mechanical design. This option is useful for maintenance purposes and allows to keep the scale clean.

#### Cooperation with PUE C/31 H Indicator

The scale can be operated via uncomplicated and reliable PUE C/31 H indicator housed in a stainless steel housing.

#### Uninterrupted Operation due to an Internal Battery

Integrated battery of the weighing indicator enables several hours long mobile operation.

#### Ergonomics and Comfort of Operation

With use of a long cable it is possible to locate the indicator in a place facilitating convenient operation or on the wall. An additional accessory enables placing the indicator on a stand.

#### Customizable Instrument

Numerous variants of weighing pan dimensions and broad range of maximum capacities enable selecting the best weighing instrument suiting specific requirements and needs.

#### Uncomplicated Operation and Clear Presentation of Indications

Due to a backlit LCD display the measurement result is clearly visible. Easy operation enables fast and reliable measurements to be carried out even by an inexperienced operator

## Technical Specifications

	WPT/4 150 H6/Z	WPT/4 300 H6/Z	WPT/4 600 H6/Z*
<b>Maximum capacity [Max]</b>	150 kg	300 kg	600 kg
<b>Minimum capacity</b>	1 kg	2 kg	4 kg
<b>Readability [d]</b>	50 g	100 g	200 g
<b>Max readability for non-verified scale</b>	20 g	20 g	50 g
<b>Verification unit [e]</b>	50 g	100 g	200 g
<b>Tare range</b>	-150 kg	-300 kg	-600 kg
<b>Verification</b>	Yes	Yes	Yes
<b>OIML class</b>	III	III	III
<b>Platform material</b>	AISI304 stainless steel	AISI304 stainless steel	AISI304 stainless steel
<b>Weighing pan material</b>	AISI304 stainless steel	AISI304 stainless steel	AISI304 stainless steel
<b>Indicator fastening</b>	3 m cable	3 m cable	3 m cable
<b>Display</b>	LCD (with backlight)	LCD (with backlight)	LCD (with backlight)
<b>Keyboard</b>	5 keys	5 keys	5 keys
<b>Indicator</b>	PUE C/31H	PUE C/31H	PUE C/31H
<b>Ingress protection - platform</b>	IP 68	IP 68	IP 68
<b>Ingress protection - indicator</b>	IP 68/69	IP 68/69	IP 68/69
<b>RS 232</b>	1	1	1
<b>Power supply</b>	100 ÷ 240 V AC 50 ÷ 60 Hz / 12 V DC + battery	100 ÷ 240 V AC 50 ÷ 60 Hz / 12 V DC + battery	100 ÷ 240 V AC 50 ÷ 60 Hz / 12 V DC + battery
<b>Battery operation time</b>	45 hours	45 hours	45 hours
<b>Power consumption</b>	6 W	6 W	6 W
<b>Operating temperature</b>	-10 ÷ +40 °C	-10 ÷ +40 °C	-10 ÷ +40 °C
<b>Relative humidity**</b>	10 ÷ 85%	10 ÷ 85%	10 ÷ 85%
<b>Transport and storage temperature</b>	-10 ÷ +50 °C	-10 ÷ +50 °C	-10 ÷ +50 °C
<b>Weighing pan dimensions</b>	800 × 800 mm	800 × 800 mm	800 × 800 mm
<b>Platform opening</b>	Single-leaf	Single-leaf	Single-leaf
<b>Indicator dimensions</b>	226 × 250 × 120 mm	226 × 250 × 120 mm	226 × 250 × 120 mm
<b>Net weight</b>	60 kg	60 kg	60 kg
<b>Gross weight</b>	100 kg	100 kg	100 kg
<b>Packaging dimensions</b>	1000 × 1000 × 430 mm	1000 × 1000 × 430 mm	1000 × 1000 × 430 mm
<b>Frame weight</b>	16 kg	16 kg	16 kg

\* option: dual range weighing instrument

\*\* non-condensing conditions

	WPT/4 150 H7/Z	WPT/4 300 H7/Z	WPT/4 600 H7/Z*
Maximum capacity [Max]	150 kg	300 kg	600 kg
Minimum capacity	1 kg	2 kg	4 kg
Readability [d]	50 g	100 g	200 g
Max readability for non-verified scale	20 g	20 g	50 g
Verification unit [e]	50 g	100 g	200 g
Tare range	-150 kg	-300 kg	-600 kg
Verification	Yes	Yes	Yes
OIML class	III	III	III
Platform material	AISI304 stainless steel	AISI304 stainless steel	AISI304 stainless steel
Weighing pan material	AISI304 stainless steel	AISI304 stainless steel	AISI304 stainless steel
Indicator fastening	3 m cable	3 m cable	3 m cable
Display	LCD (with backlight)	LCD (with backlight)	LCD (with backlight)
Keyboard	5 keys	5 keys	5 keys
Indicator	PUE C/31H	PUE C/31H	PUE C/31H
Ingress protection - platform	IP 68	IP 68	IP 68
Ingress protection - indicator	IP 68/69	IP 68/69	IP 68/69
RS 232	1	1	1
Power supply	100 ÷ 240 V AC 50 ÷ 60 Hz / 12 V DC + battery	100 ÷ 240 V AC 50 ÷ 60 Hz / 12 V DC + battery	100 ÷ 240 V AC 50 ÷ 60 Hz / 12 V DC + battery
Battery operation time	45 hours	45 hours	45 hours
Power consumption	6 W	6 W	6 W
Operating temperature	-10 ÷ +40 °C	-10 ÷ +40 °C	-10 ÷ +40 °C
Relative humidity**	10 ÷ 85%	10 ÷ 85%	10 ÷ 85%
Transport and storage temperature	-10 ÷ +50 °C	-10 ÷ +50 °C	-10 ÷ +50 °C
Weighing pan dimensions	1000 × 1000 mm	1000 × 1000 mm	1000 × 1000 mm
Platform opening	Single-leaf	Single-leaf	Single-leaf
Indicator dimensions	226 × 250 × 120 mm	226 × 250 × 120 mm	226 × 250 × 120 mm
Net weight	85 kg	85 kg	85 kg
Gross weight	130 kg	130 kg	130 kg
Packaging dimensions	1200 × 1200 × 430 mm	1200 × 1200 × 430 mm	1200 × 1200 × 430 mm
Frame weight	18 kg	18 kg	18 kg

\* option: dual range weighing instrument

\*\* non-condensing conditions

	WPT/4 1500 H7/Z*	WPT/4 300 H8/Z	WPT/4 600 H8/Z*
<b>Maximum capacity [Max]</b>	1500 kg	300 kg	600 kg
<b>Minimum capacity</b>	10 kg	2 kg	4 kg
<b>Readability [d]</b>	500 g	100 g	200 g
<b>Max readability for non-verified scale</b>	100 g	20 g	50 g
<b>Verification unit [e]</b>	500 g	100 g	200 g
<b>Tare range</b>	-1500 kg	-300 kg	-600 kg
<b>Verification</b>	Yes	Yes	Yes
<b>OIML class</b>	III	III	III
<b>Platform material</b>	AISI304 stainless steel	AISI304 stainless steel	AISI304 stainless steel
<b>Weighing pan material</b>	AISI304 stainless steel	AISI304 stainless steel	AISI304 stainless steel
<b>Indicator fastening</b>	3 m cable	3 m cable	3 m cable
<b>Display</b>	LCD (with backlight)	LCD (with backlight)	LCD (with backlight)
<b>Keyboard</b>	5 keys	5 keys	5 keys
<b>Indicator</b>	PUE C/31H	PUE C/31H	PUE C/31H
<b>Ingress protection - platform</b>	IP 68	IP 68	IP 68
<b>Ingress protection - indicator</b>	IP 68/69	IP 68/69	IP 68/69
<b>RS 232</b>	1	1	1
<b>Power supply</b>	100 ÷ 240 V AC 50 ÷ 60 Hz / 12 V DC + battery	100 ÷ 240 V AC 50 ÷ 60 Hz / 12 V DC + battery	100 ÷ 240 V AC 50 ÷ 60 Hz / 12 V DC + battery
<b>Battery operation time</b>	45 hours	45 hours	45 hours
<b>Power consumption</b>	6 W	6 W	6 W
<b>Operating temperature</b>	-10 ÷ +40 °C	-10 ÷ +40 °C	-10 ÷ +40 °C
<b>Relative humidity**</b>	10 ÷ 85%	10 ÷ 85%	10 ÷ 85%
<b>Transport and storage temperature</b>	-10 ÷ +50 °C	-10 ÷ +50 °C	-10 ÷ +50 °C
<b>Weighing pan dimensions</b>	1000 × 1000 mm	1200 × 1200 mm	1200 × 1200 mm
<b>Platform opening</b>	Single-leaf	Single-leaf	Single-leaf
<b>Indicator dimensions</b>	226 × 250 × 120 mm	226 × 250 × 120 mm	226 × 250 × 120 mm
<b>Net weight</b>	95 kg	125 kg	125 kg
<b>Gross weight</b>	140 kg	180 kg	180 kg
<b>Packaging dimensions</b>	1200 × 1200 × 430 mm	1400 × 1400 × 430 mm	1400 × 1400 × 430 mm
<b>Frame weight</b>	18 kg	20 kg	20 kg

\* option: dual range weighing instrument

\*\* non-condensing conditions

	WPT/4 1500 H8/Z*	WPT/4 3000 H8/Z*	WPT/4 300 H8/9/Z*
<b>Maximum capacity [Max]</b>	1500 kg	3000 kg	300 kg
<b>Minimum capacity</b>	10 kg	20 kg	2 kg
<b>Readability [d]</b>	500 g	1 kg	100 g
<b>Max readability for non-verified scale</b>	100 g	200 g	20 g
<b>Verification unit [e]</b>	500 g	1 kg	100 g
<b>Tare range</b>	-1500 kg	-3000 kg	-300 kg
<b>Verification</b>	Yes	Yes	Yes
<b>OIML class</b>	III	III	III
<b>Platform material</b>	AISI304 stainless steel	AISI304 stainless steel	AISI304 stainless steel
<b>Weighing pan material</b>	AISI304 stainless steel	AISI304 stainless steel	AISI304 stainless steel
<b>Indicator fastening</b>	3 m cable	3 m cable	3 m cable
<b>Display</b>	LCD (with backlight)	LCD (with backlight)	LCD (with backlight)
<b>Keyboard</b>	5 keys	5 keys	5 keys
<b>Indicator</b>	PUE C/31H	PUE C/31H	PUE C/31H
<b>Ingress protection - platform</b>	IP 68	IP 68	IP 68
<b>Ingress protection - indicator</b>	IP 68/69	IP 68/69	IP 68/69
<b>RS 232</b>	1	1	1
<b>Power supply</b>	100 ÷ 240 V AC 50 ÷ 60 Hz / 12 V DC + battery	100 ÷ 240 V AC 50 ÷ 60 Hz / 12 V DC + battery	100 ÷ 240 V AC 50 ÷ 60 Hz / 12 V DC + battery
<b>Battery operation time</b>	45 hours	45 hours	45 hours
<b>Power consumption</b>	6 W	6 W	6 W
<b>Operating temperature</b>	-10 ÷ +40 °C	-10 ÷ +40 °C	-10 ÷ +40 °C
<b>Relative humidity**</b>	10 ÷ 85%	10 ÷ 85%	10 ÷ 85%
<b>Transport and storage temperature</b>	-10 ÷ +50 °C	-10 ÷ +50 °C	-10 ÷ +50 °C
<b>Weighing pan dimensions</b>	1200 × 1200 mm	1200 × 1200 mm	1200 × 1500 mm
<b>Platform opening</b>	Single-leaf	Single-leaf	Double-leaf
<b>Indicator dimensions</b>	226 × 250 × 120 mm	226 × 250 × 120 mm	226 × 250 × 120 mm
<b>Net weight</b>	125 kg	130 kg	155 kg
<b>Gross weight</b>	180 kg	190 kg	220 kg
<b>Packaging dimensions</b>	1400 × 1400 × 430 mm	1400 × 1400 × 430 mm	1700 × 1400 × 430 mm
<b>Frame weight</b>	20 kg	20 kg	21 kg

\* option: dual range weighing instrument

\*\* non-condensing conditions

	WPT/4 600 H8/9/Z*	WPT/4 1500 H8/9/Z*	WPT/4 3000 H8/9/Z*
<b>Maximum capacity [Max]</b>	600 kg	1500 kg	3000 kg
<b>Minimum capacity</b>	4 kg	10 kg	20 kg
<b>Readability [d]</b>	200 g	500 kg	1000 g
<b>Max readability for non-verified scale</b>	50 g	100 g	200 g
<b>Verification unit [e]</b>	200 g	500 g	1000 g
<b>Tare range</b>	-600 kg	-1500 kg	-3000 kg
<b>Verification</b>	Yes	Yes	Yes
<b>OIML class</b>	III	III	III
<b>Platform material</b>	AISI304 stainless steel	AISI304 stainless steel	AISI304 stainless steel
<b>Weighing pan material</b>	AISI304 stainless steel	AISI304 stainless steel	AISI304 stainless steel
<b>Indicator fastening</b>	3 m cable	3 m cable	3 m cable
<b>Display</b>	LCD (with backlight)	LCD (with backlight)	LCD (with backlight)
<b>Keyboard</b>	5 keys	5 keys	5 keys
<b>Indicator</b>	PUE C/31H	PUE C/31H	PUE C/31H
<b>Ingress protection - platform</b>	IP 68	IP 68	IP 68
<b>Ingress protection - indicator</b>	IP 68/69	IP 68/69	IP 68/69
<b>RS 232</b>	1	1	1
<b>Power supply</b>	100 ÷ 240 V AC 50 ÷ 60 Hz / 12 V DC + battery	100 ÷ 240 V AC 50 ÷ 60 Hz / 12 V DC + battery	100 ÷ 240 V AC 50 ÷ 60 Hz / 12 V DC + battery
<b>Battery operation time</b>	45 hours	45 hours	45 hours
<b>Power consumption</b>	6 W	6 W	6 W
<b>Operating temperature</b>	-10 ÷ +40 °C	-10 ÷ +40 °C	-10 ÷ +40 °C
<b>Relative humidity**</b>	10 ÷ 85%	10 ÷ 85%	10 ÷ 85%
<b>Transport and storage temperature</b>	-10 ÷ +50 °C	-10 ÷ +50 °C	-10 ÷ +50 °C
<b>Weighing pan dimensions</b>	1200 × 1500 mm	1200 × 1500 mm	1200 × 1500 mm
<b>Platform opening</b>	Double-leaf	Double-leaf	Double-leaf
<b>Indicator dimensions</b>	226 × 250 × 120 mm	226 × 250 × 120 mm	226 × 250 × 120 mm
<b>Net weight</b>	155 kg	155 kg	160 kg
<b>Gross weight</b>	220 kg	220 kg	230 kg
<b>Packaging dimensions</b>	1700 × 1400 × 430 mm	1700 × 1400 × 430 mm	1700 × 1400 × 450 mm
<b>Frame weight</b>	21 kg	21 kg	29 kg

\* option: dual range weighing instrument

\*\* non-condensing conditions

	WPT/4 300 H9/Z*	WPT/4 600 H9/Z*	WPT/4 1500 H9/Z*
<b>Maximum capacity [Max]</b>	300 kg	600 kg	1500 kg
<b>Minimum capacity</b>	2 kg	4 kg	10 kg
<b>Readability [d]</b>	100 g	200 g	500 g
<b>Max readability for non-verified scale</b>	50 g	50 g	100 g
<b>Verification unit [e]</b>	100 g	200 g	500 g
<b>Tare range</b>	-300 kg	-600 kg	-1500 kg
<b>Verification</b>	Yes	Yes	Yes
<b>OIML class</b>	III	III	III
<b>Platform material</b>	AISI304 stainless steel	AISI304 stainless steel	AISI304 stainless steel
<b>Weighing pan material</b>	AISI304 stainless steel	AISI304 stainless steel	AISI304 stainless steel
<b>Indicator fastening</b>	3 m cable	3 m cable	3 m cable
<b>Display</b>	LCD (with backlight)	LCD (with backlight)	LCD (with backlight)
<b>Keyboard</b>	5 keys	5 keys	5 keys
<b>Indicator</b>	PUE C/31H	PUE C/31H	PUE C/31H
<b>Ingress protection - platform</b>	IP 68	IP 68	IP 68
<b>Ingress protection - indicator</b>	IP 68/69	IP 68/69	IP 68/69
<b>RS 232</b>	1	1	1
<b>Power supply</b>	100 ÷ 240 V AC 50 ÷ 60 Hz / 12 V DC + battery	100 ÷ 240 V AC 50 ÷ 60 Hz / 12 V DC + battery	100 ÷ 240 V AC 50 ÷ 60 Hz / 12 V DC + battery
<b>Battery operation time</b>	45 hours	45 hours	45 hours
<b>Power consumption</b>	6 W	6 W	6 W
<b>Operating temperature</b>	-10 ÷ +40 °C	-10 ÷ +40 °C	-10 ÷ +40 °C
<b>Relative humidity**</b>	10 ÷ 85%	10 ÷ 85%	10 ÷ 85%
<b>Transport and storage temperature</b>	-10 ÷ +50 °C	-10 ÷ +50 °C	-10 ÷ +50 °C
<b>Weighing pan dimensions</b>	1500 × 1500 mm	1500 × 1500 mm	1500 × 1500 mm
<b>Platform opening</b>	Double-leaf	Double-leaf	Double-leaf
<b>Indicator dimensions</b>	226 × 250 × 120 mm	226 × 250 × 120 mm	226 × 250 × 120 mm
<b>Net weight</b>	190 kg	190 kg	190 kg
<b>Gross weight</b>	250 kg	250 kg	250 kg
<b>Packaging dimensions</b>	1700 × 1700 × 430 mm	1700 × 1700 × 430 mm	1700 × 1700 × 430 mm
<b>Frame weight</b>	23 kg	23 kg	23 kg

\* option: dual range weighing instrument

\*\* non-condensing conditions

	WPT/4 3000 H9/Z*	WPT/4 6000 H9/Z*	WPT/4 600 H10/Z
<b>Maximum capacity [Max]</b>	3000 kg	6000 kg	600 kg
<b>Minimum capacity</b>	20 kg	40 kg	4 kg
<b>Readability [d]</b>	1000 g	2 kg	200 g
<b>Max readability for non-verified scale</b>	200 g	500 g	50 g
<b>Verification unit [e]</b>	1000 g	2 kg	200 g
<b>Tare range</b>	-3000 kg	-6000 kg	-600 kg
<b>Verification</b>	Yes	Yes	Yes
<b>OIML class</b>	III	III	III
<b>Platform material</b>	AISI304 stainless steel	AISI304 stainless steel	AISI304 stainless steel
<b>Weighing pan material</b>	AISI304 stainless steel	AISI304 stainless steel	AISI304 stainless steel
<b>Indicator fastening</b>	3 m cable	3 m cable	3 m cable
<b>Display</b>	LCD (with backlight)	LCD (with backlight)	LCD (with backlight)
<b>Keyboard</b>	5 keys	5 keys	5 keys
<b>Indicator</b>	PUE C/31H	PUE C/31H	PUE C/31H
<b>Ingress protection - platform</b>	IP 68	IP 68	IP 68
<b>Ingress protection - indicator</b>	IP 68/69	IP 68/69	IP 68/69
<b>RS 232</b>	1	1	1
<b>Power supply</b>	100 ÷ 240 V AC 50 ÷ 60 Hz / 12 V DC + battery	100 ÷ 240 V AC 50 ÷ 60 Hz / 12 V DC + battery	100 ÷ 240 V AC 50 ÷ 60 Hz / 12 V DC + battery
<b>Battery operation time</b>	45 hours	45 hours	45 hours
<b>Power consumption</b>	6 W	6 W	6 W
<b>Operating temperature</b>	-10 ÷ +40 °C	-10 ÷ +40 °C	-10 ÷ +40 °C
<b>Relative humidity**</b>	10 ÷ 85%	10 ÷ 85%	10 ÷ 85%
<b>Transport and storage temperature</b>	-10 ÷ +50 °C	-10 ÷ +50 °C	-10 ÷ +50 °C
<b>Weighing pan dimensions</b>	1500 × 1500 mm	1500 × 1500 mm	1500 × 2000 mm
<b>Platform opening</b>	Double-leaf	Double-leaf	Double-leaf
<b>Indicator dimensions</b>	226 × 250 × 120 mm	226 × 250 × 120 mm	226 × 250 × 120 mm
<b>Net weight</b>	200 kg	200 kg	285 kg
<b>Gross weight</b>	270 kg	270 kg	370 kg
<b>Packaging dimensions</b>	1700 × 1700 × 450 mm	1700 × 1700 × 450 mm	2200 × 1700 × 450 mm
<b>Frame weight</b>	31 kg	31 kg	35 kg

\* option: dual range weighing instrument

\*\* non-condensing conditions

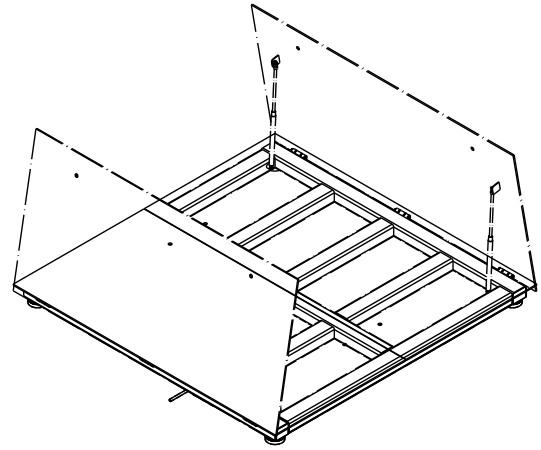
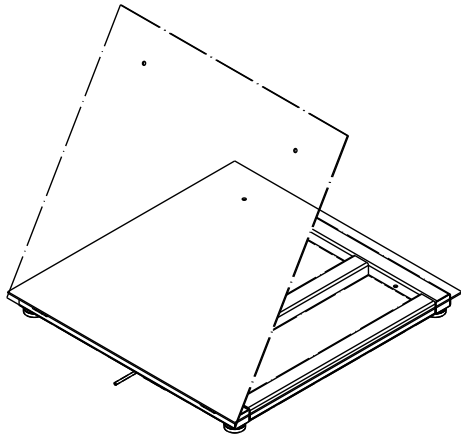


	WPT/4 1500 H10/Z*	WPT/4 3000 H10/Z*	WPT/4 6000 H10/Z*
<b>Maximum capacity [Max]</b>	1500 kg	3000 kg	6000 kg
<b>Minimum capacity</b>	10 kg	20 kg	40 kg
<b>Readability [d]</b>	500 g	1000 g	2000 g
<b>Max readability for non-verified scale</b>	100 g	200 g	500 g
<b>Verification unit [e]</b>	500 g	1000 g	2000 g
<b>Tare range</b>	-1500 kg	-3000 kg	-6000 kg
<b>Verification</b>	Yes	Yes	Yes
<b>OIML class</b>	III	III	III
<b>Platform material</b>	AISI304 stainless steel	AISI304 stainless steel	AISI304 stainless steel
<b>Weighing pan material</b>	AISI304 stainless steel	AISI304 stainless steel	AISI304 stainless steel
<b>Indicator fastening</b>	3 m cable	3 m cable	3 m cable
<b>Display</b>	LCD (with backlight)	LCD (with backlight)	LCD (with backlight)
<b>Keyboard</b>	5 keys	5 keys	5 keys
<b>Indicator</b>	PUE C/31H	PUE C/31H	PUE C/31H
<b>Ingress protection - platform</b>	IP 68	IP 68	IP 68
<b>Ingress protection - indicator</b>	IP 68/69	IP 68/69	IP 68/69
<b>RS 232</b>	1	1	1
<b>Power supply</b>	100 ÷ 240 V AC 50 ÷ 60 Hz / 12 V DC + battery	100 ÷ 240 V AC 50 ÷ 60 Hz / 12 V DC + battery	100 ÷ 240 V AC 50 ÷ 60 Hz / 12 V DC + battery
<b>Battery operation time</b>	45 hours	45 hours	45 hours
<b>Power consumption</b>	6 W	6 W	6 W
<b>Operating temperature</b>	-10 ÷ +40 °C	-10 ÷ +40 °C	-10 ÷ +40 °C
<b>Relative humidity**</b>	10 ÷ 85%	10 ÷ 85%	10 ÷ 85%
<b>Transport and storage temperature</b>	-10 ÷ +50 °C	-10 ÷ +50 °C	-10 ÷ +50 °C
<b>Weighing pan dimensions</b>	1500 × 2000 mm	1500 × 2000 mm	1500 × 2000 mm
<b>Platform opening</b>	Double-leaf	Double-leaf	Double-leaf
<b>Indicator dimensions</b>	226 × 250 × 120 mm	226 × 250 × 120 mm	226 × 250 × 120 mm
<b>Net weight</b>	285 kg	285 kg	350 kg
<b>Gross weight</b>	370 kg	370 kg	440 kg
<b>Packaging dimensions</b>	2200 × 1700 × 450 mm	2200 × 1700 × 450 mm	2200 × 1700 × 500 mm
<b>Frame weight</b>	35 kg	35 kg	35 kg

\* option: dual range weighing instrument

\*\* non-condensing conditions

# Dimensions

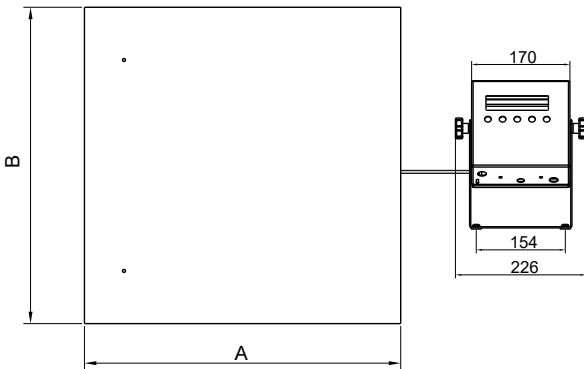
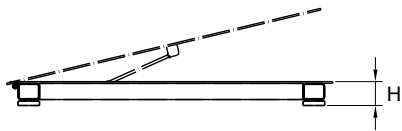


Single-leaf platform:

- WPT/4 H6/Z
- WPT/4 H7/Z
- WPT/4 H8/Z

Double-leaf platform:

- WPT/4 H8/9/Z
- WPT/4 H9/Z
- WPT/4 H10/Z



Scale type	A	B	H
WPT/4 150 – 600 H6/Z	800	800	88±2
WPT/4 150 – 1500 H7/Z	1000	1000	88±2
WPT/4 300 – 1500 H8/Z	1200	1200	88 ±2
WPT/4 3000 H8/Z	1200	1200	111 ±2
WPT/4 300 – 1500 H8/9/Z	1200	1500	88 ±2
WPT/4 3000 H8/9/Z	1200	1500	111 ±2
WPT/4 300 – 1500 H9/Z	1500	1500	88 ±2
WPT/4 3000 – 6000 H9/Z	1500	1500	111 ±2
WPT/4 600 – 6000 H10/Z	1500	2000	111 ±2

dimensions in mm

## Accessories

---

### Peripheral Devices

- Epson dot matrix printer
- LCD – WD-4/3 display (backlit)
- WWG-2/3 large-size display

### Cables, Converters

- RS 232 – PT0259 cable (scale - indicator)
- RS 232 – PT0326 cable (indicator– indicator)
- RS-232 – P0151 Epson printer cable
- RS232 – KR-04-2 converter

- RS232 – KR-04-3 converter
- AP2-3 current loop unit (in stainless steel housing)
- external power supply - K0046D (for PUE C/31H/Z)
- K0047 – cigarette lighter cable

### Remaining Accessories

- stands for indicators
- ramps for scales

## Dedicated Software

---

### R-LAB

- collecting measurements
- carrying out statistical analysis of measurements
- customized graphs and reports

### LabView Driver

- operation of RADWAG balances in LabView environment

### Scale editor

- Software designed to enable change of parameters in the PUEC/31 indicator.

### Radwag Development Studio

- presentation of functions (and subfunctions) of communication protocol (Common Communication Protocol)
- possibility of connection with weighing equipment on which each function is carried out,
- library with mass control, contained within the development environment
- complete documentation of the communication protocol
- set of user manuals for different solutions addressed for programmers employed in companies using RADWAG-manufactured weighing equipment

### RADWAG Connect

- establishing communication with all balances, scales and weighing modules using Common Communication Protocol
- communication via local network,
- support of basic functions
- auto searching for devices
- connecting with few devices simultaneously, swapping between them
- clear list of connected platforms
- record of measurements in the program,
- export of carried out measurements to CSV file,
- work performed using freely selected device with Windows 10 operating system

### RAD KEY

- Establishing cooperation between a weighing instrument and a computer

### R.Barcode

- The basic function software is presentation of the data sent by barcode scanners connected to PC via USB or RS232