

ANTIVIBRATION TABLE



An anti vibration table is designed for cooperation with analytical and laboratory balance or control scales. Its construction provides stable operation during precise weighing processes.

Working table has a separate basis and a top made in painted MDF technology. The top has an opening in it for stone plate which is a stabilizing element of anti vibration table. Table construction is made of mild steel profiles with adjustable feet for height regulation. A stone plate is supported by an independent basis for improvement of stability.

Anti vibration table components as well as the top can be manufactured in stainless steel technology (acid-proof), and table dimensions are adjustable to customer requirements.

Anti vibration table is accessible in three options:

SAP/N – anti vibration table in stainless steel technology for industrial scales

SAL/N – anti vibration table in stainless steel technology for laboratory balances

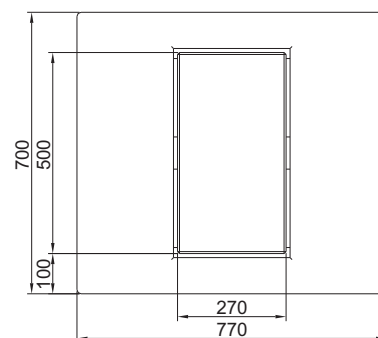
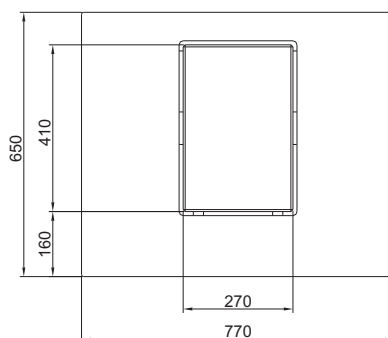
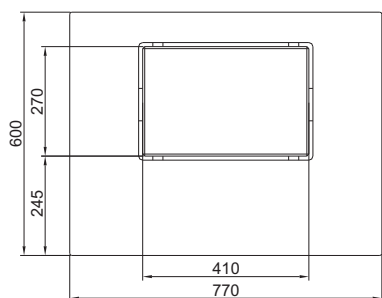
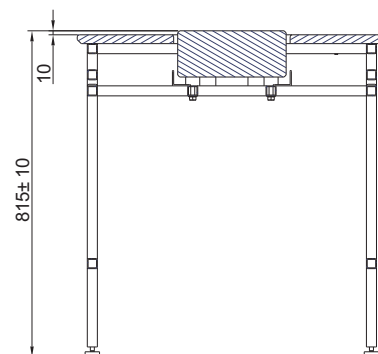
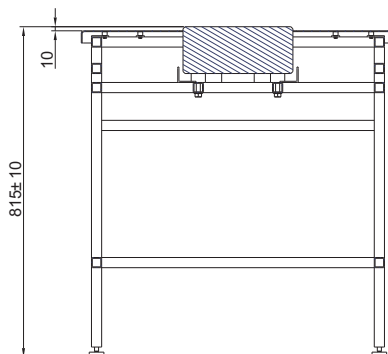
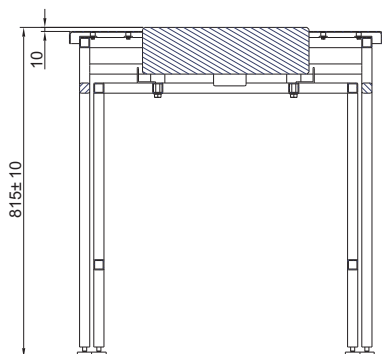
SAL/M – anti vibration table in mild steel technology for laboratory balances

SAM/M – anti vibration table in mild steel technology for microbalances and XA/Y.

SAP/N version

SAL/N, SAL/M version

SAM/M version



Specification:

Marble plate:

Length 410 mm (500 mm - SAM/M)

Width 270 mm

Height 115 mm

Weight ~34 kg

Working table:

Length 770 mm

Width 600 mm - SAP/N; 650 mm - SAL/M, SAL/N; 770 mm - SAM/M

Height 815 mm

Weight ~21 kg